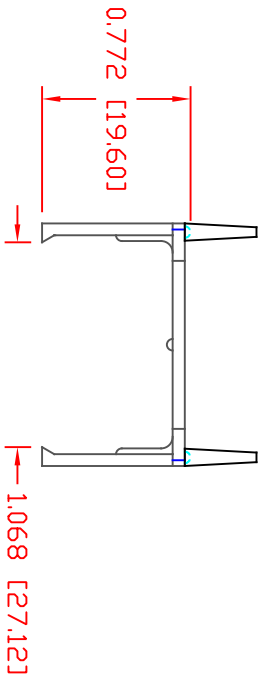
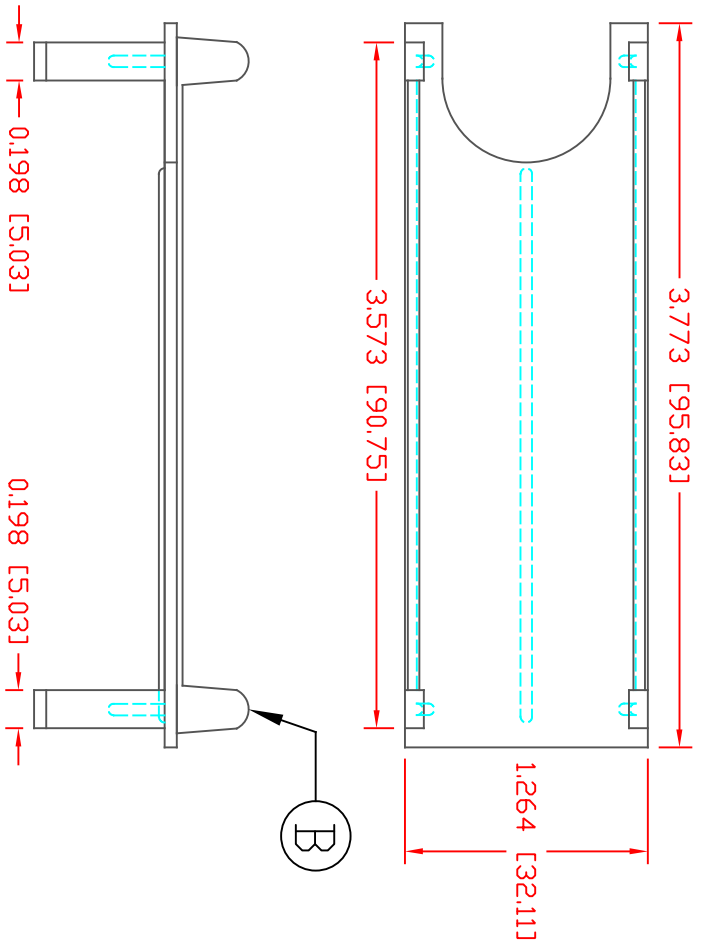


THE INFORMATION CONTAINED IN THIS DRAWING IS THE SOLE PROPERTY OF VTE INCORPORATED. ANY REPRODUCTION IN PART OR WHOLE WITHOUT THE WRITTEN PERMISSION OF VTE INCORPORATED IS PROHIBITED. VTE MAKES NO WARRANTY, EXPRESSED OR IMPLIED, AS TO THE SUITABILITY OF A PRODUCT FOR ANY INTENDED USE. THE CUSTOMER SHALL BEAR THE SOLE RESPONSIBILITY OF DETERMINING THE SUITABILITY OF ANY VTE PRODUCT FOR ITS END USE.

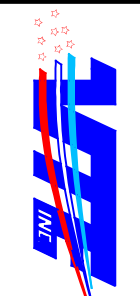
LTR.	REVISIONS	DATE	INT.
A	MATERIAL WAS CLEAR PVC	07-30-15	BRH
B	ADDED 4 TOP FEATURES	11-19-18	RAS
C	UPDATED MATERIAL INFORMATION FOR POLYPROPYLENE	8-15-22	RAS



MATERIAL PART NO:  
 MATERIAL:  
 VENDOR PART NO:  
 ASH FILLER CONTENT  
 TENSILE STRENGTH, YIELD:  
 DENSITY (G/CM<sup>3</sup>):  
 NOTCHED IZOD IMPACT:  
 FLAME CLASS UL:

1209650315  
 POLYPROPYLENE  
 MAFILL CR HT 5641  
 38%  
 33 MPa  
 1.25  
 0.6 ft-lb/in  
 13 g/10 min  
 HB

DO NOT SCALE



**VTE Incorporated**  
 5437 Robinson Road, P.O. Box 790  
 Pellston, Michigan 49769  
 Telephone: 1-800-527-9256, 231-539-8000  
 FAX: 231-539-0914

REF:	DATE:	DRN BY:	BRH	WEIGHT:
CUSTOMER DIMS	08-17-05	CHK'D BY:	BRH	.017 LBS [7.7 g]
TITLE:	12 POINT CONTACT COVER			
MATERIAL:	POLYPROPYLENE		PART NO.	313N0P02
COLOR:	RED	DRG CLASS	REV C	