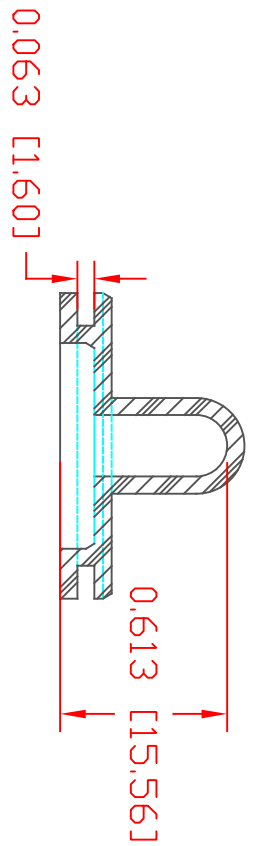
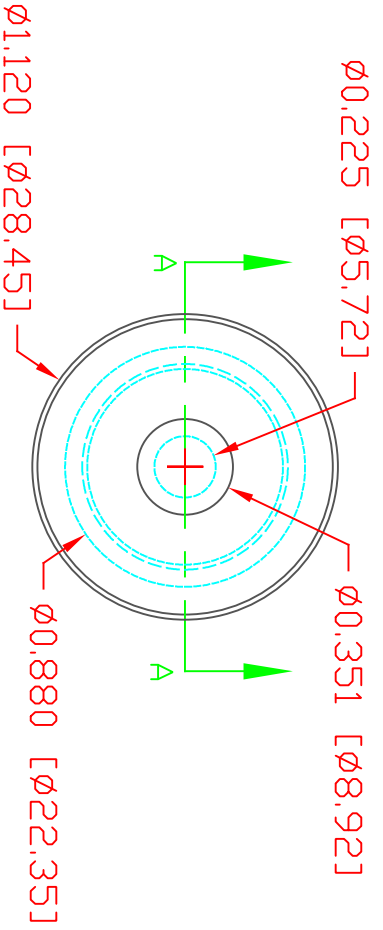
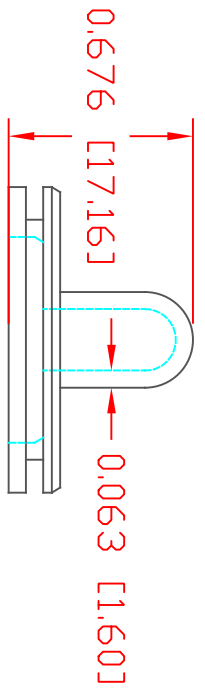


THE INFORMATION CONTAINED IN THIS DRAWING IS THE SOLE PROPERTY OF VTE INCORPORATED. ANY REPRODUCTION IN PART OR WHOLE WITHOUT THE WRITTEN PERMISSION OF VTE INCORPORATED IS PROHIBITED. VTE MAKES NO WARRANTY, EXPRESSED OR IMPLIED, AS TO THE SUITABILITY OF A PRODUCT FOR ANY INTENDED USE. THE CUSTOMER SHALL BEAR THE SOLE RESPONSIBILITY OF DETERMINING THE SUITABILITY OF ANY VTE PRODUCT FOR ITS END USE.

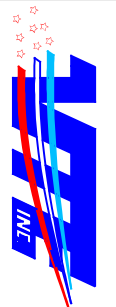
LTR.	REVISIONS	DATE	INT.
↗	UPDATED MATERIAL INFORMATION	8-02-22	RAS



SECTION A-A

MATERIAL PART NO: 1101700109  
 MATERIAL: BLUE PVC  
 VENDOR PART NO: 7844-70 BLUE 1812  
 SPECIFIC GRAVITY: 1.36  
 HARDNESS 10 SEC: 70  
 HARDNESS SCALE: A  
 TENSILE STRENGTH, PSI: 1100  
 ELONGATION, %: 310  
 TEAR STRENGTH, PPI: 200  
 FLAME CLASS UL: HB  
 MELT TEMP., DEGREES F [C]: 320-340 [160-171]  
 DIELECTRIC STRENGTH, V./MIL: N/A

SCALE FACTOR : NONE  
 ALL DIMENSIONS GIVEN AS: In [mm]  
 TOLERANCES UNLESS OTHERWISE SPECIFIED :  
 MOLDED PARTS: ±0.30° [±0.8mm]  
 ALL ANGLES ARE ± 1 DEGREE



VTE Incorporated  
 5437 Robinson Road, P.O. Box 790  
 Pellston, Michigan 49769  
 Telephone: 1-800-527-9256, 231-539-8000  
 FAX: 231-539-0914

REF:	DATE:	DRN BY:	BRH	WEIGHT:
CUSTOMER DIMS	10-12-06	CHK'D BY:	BRH	.006 LBS [2.9 g]
TITLE: COVER RETAINER 1/4" STUD				
MATERIAL:	PVC	PART NO:	324N3V09	
COLOR:	BLUE	DRG CLASS	REV A	

DD NDT SCALE