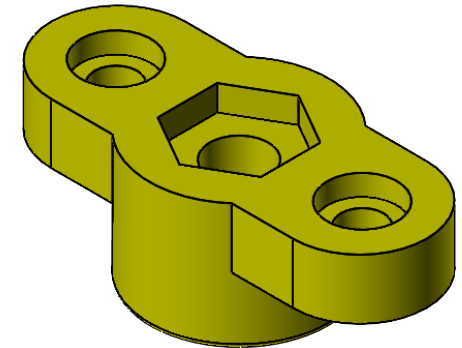
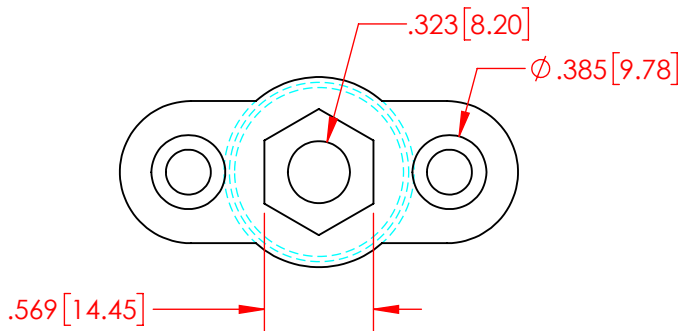
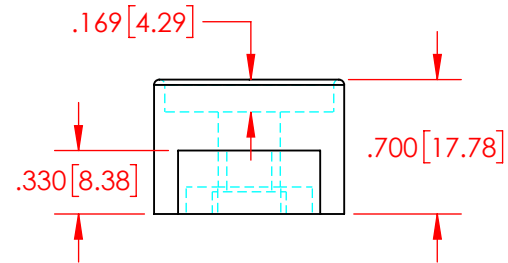
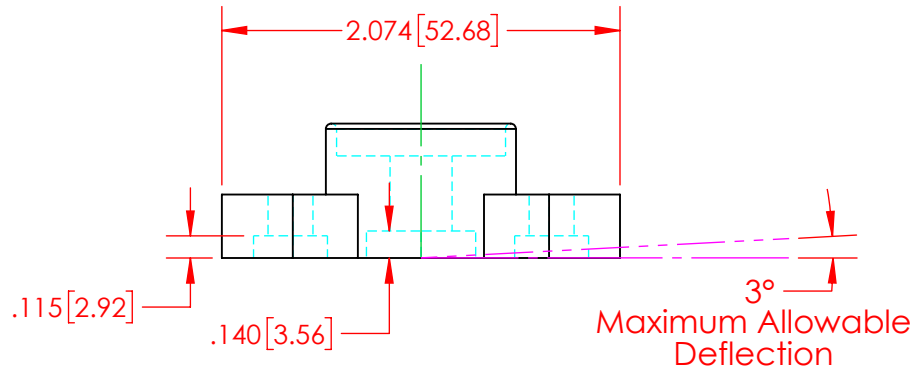
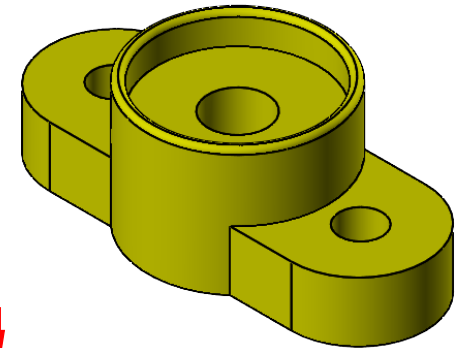
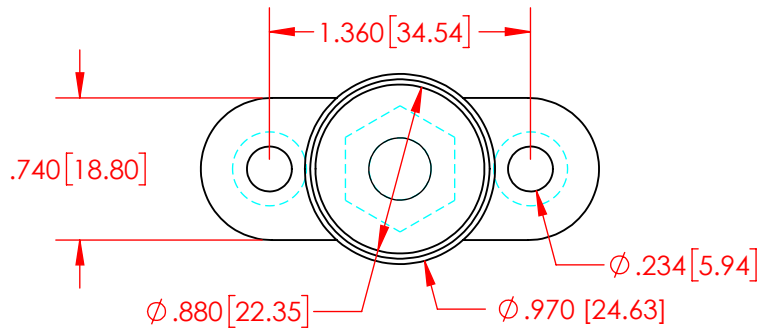


REVISIONS			
REV.	DESCRIPTION	DATE	APPROVED
C	Redrawn in Solidworks	7/3/2024	RAS
D	Added "Allowable Deflection" Note	7/3/2024	RAS



MATERIAL PART NO: 7111210505  
 MATERIAL: GLASS FILLED NYLON  
 VENDOR PART NO: HYLON N2015 HL NAT  
 SPECIFIC GRAVITY: 1.23  
 MELTING POINT DEGREES F: 515  
 MELTING POINT DEGREES C: 268  
 MAXIMUM ACCEPTABLE MOISTURE CONTENT: .2%  
 FLAME RATING: UL 94 HB

Part Weight: 0.022 Lbs. [10.4 g]  
 Part Color : Yellow

ALL DIMENSIONS GIVEN AS : INCH [METRIC]  
 TOLERANCES UNLESS OTHERWISE SPECIFIED :  
 MOLDED PRODUCTS : ±.030" / ±0.8mm

PRINTED COPIES ARE NOT CONTROLLED

**PROPRIETARY AND CONFIDENTIAL**

THE INFORMATION CONTAINED IN THIS  
 DRAWING IS THE SOLE PROPERTY OF  
 VTE INCORPORATED. ANY REPRODUCTION  
 IN PART OR AS A WHOLE WITHOUT THE WRITTEN  
 PERMISSION OF VTE INCORPORATED PROHIBITED.



**VTE INCORPORATED**

5437 Robinson Road, P.O. Box 790  
 Pellston, Michigan 49769 USA  
 Telephone : 1-800-527-9256, 231-539-8000  
 Fax : 231-539-0914, EFax : 231-344-5914

REV	<b>D</b>	NAME	DATE
		DRAWN BY:	RAS 7-3-24
SIZE	<b>A</b>	CHECKED BY:	
DO NOT SCALE DRAWING			

TITLE: 5/16" Pass Thru Power Post Base

DWG. NO. **327D6N05**