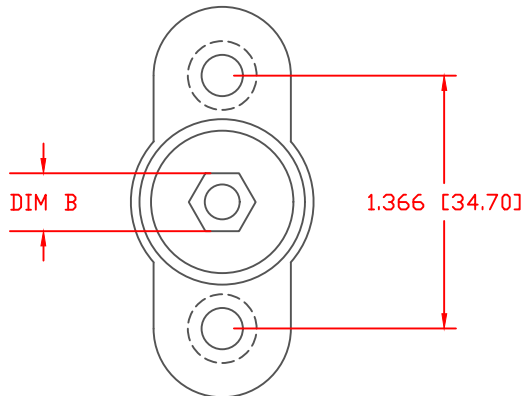
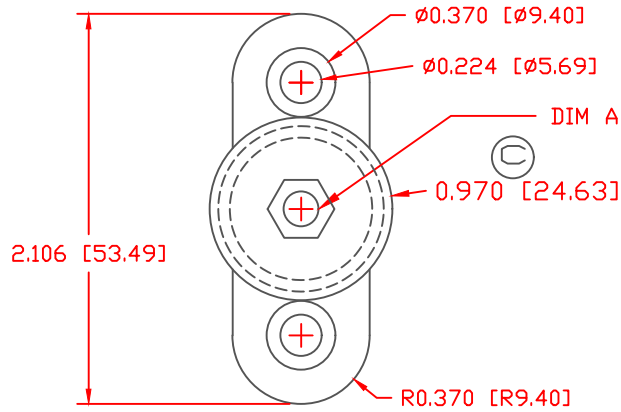
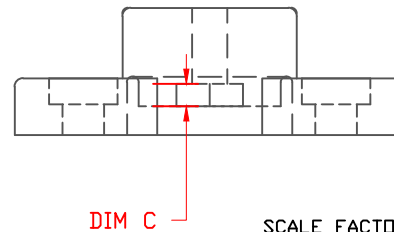


THE INFORMATION CONTAINED IN THIS DRAWING IS THE SOLE PROPERTY OF VTE INCORPORATED. ANY REPRODUCTION IN PART OR WHOLE WITHOUT THE WRITTEN PERMISSION OF VTE INCORPORATED IS PROHIBITED. VTE MAKES NO WARRANTY, EXPRESSED OR IMPLIED, AS TO THE SUITABILITY OF A PRODUCT FOR ANY INTENDED USE. THE CUSTOMER SHALL BEAR THE SOLE RESPONSIBILITY OF DETERMINING THE SUITABILITY OF ANY VTE PRODUCT FOR ITS END USE.

LTR.	REVISIONS	DATE	INT.
A	.497" WAS .482"	02-08-06	BRH
B	ADDED 327N5	06-22-17	RAS
C	UPDATED DIMENSION FROM 0.988	06-22-17	RAS
D	REVISED MATERIAL INFORMATION	07-17-18	RAS



	*	DIM A	DIM B	DIM C	STUD
327N	1	.190"	.313"	.120"	#10
327N	2	.256"	.447"	.170"	1/4"
327N	3	.318"	.497"	.228"	5/16"
327N	4	.375"	.558"	.266"	3/8"
327N	5	.315"	.505"	.228"	8MM




SCALE FACTOR : NONE
 ALL DIMENSIONS GIVEN AS: in [mm]
 TOLERANCES UNLESS OTHERWISE SPECIFIED :
 MOLDED PARTS: ±.030" [±0.8mm]
 HARDWARE ITEMS: ±.010" [±0.25mm]

MATERIAL PART NO:
 MATERIAL:
 VENDOR PART NO:
 SPECIFIC GRAVITY:
 MELTING TEMP:
 U.L. RATING:

1111210514UL
 GLASS FILLED NYLON
 NYLON N2015 HL BK
 1.23
 515 F [268 C]
 UL 94 HB

DO NOT SCALE



VTE Incorporated
 5437 Robinson Road, P.O. Box 790
 Pellston, Michigan 49769
 Telephone: 1-800-527-9256, 231-539-8000
 FAX: 231-539-0914

REF:	DATE:	DRN BY:	BRH	WEIGHT:
CUSTOMER DIMS	11-20-03	CHK'D BY:	BRH	
TITLE: POST TYPE JUNCTION BLOCK				
MATERIAL: GLASS FILLED NYLON			PART NO.	
COLOR: BLACK			327N4N14	
DRG CLASS			REV D	