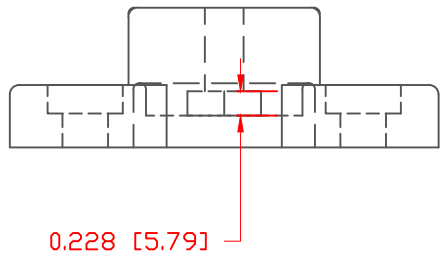
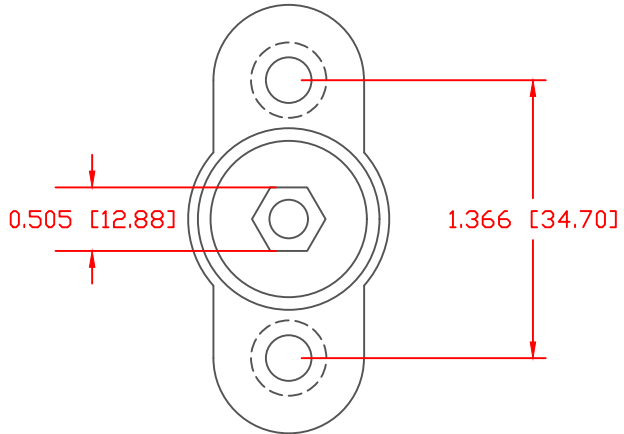
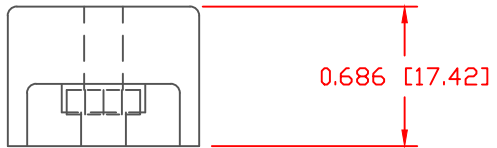
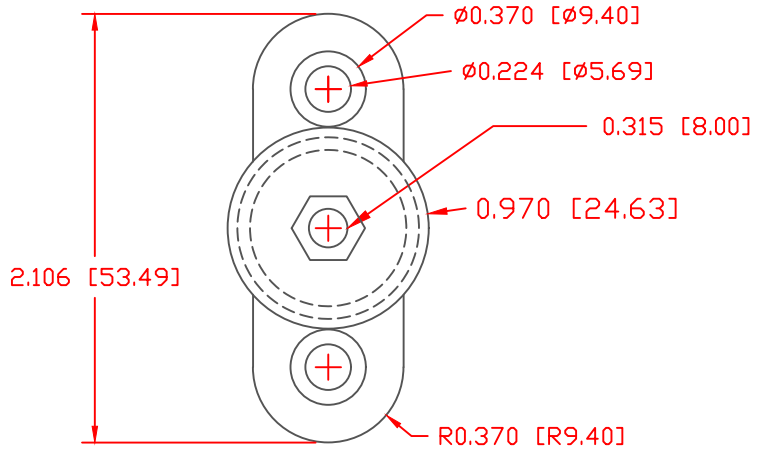


THE INFORMATION CONTAINED IN THIS DRAWING IS THE SOLE PROPERTY OF VTE INCORPORATED. ANY REPRODUCTION IN PART OR WHOLE WITHOUT THE WRITTEN PERMISSION OF VTE INCORPORATED IS PROHIBITED. VTE MAKES NO WARRANTY, EXPRESSED OR IMPLIED, AS TO THE SUITABILITY OF A PRODUCT FOR ANY INTENDED USE. THE CUSTOMER SHALL BEAR THE SOLE RESPONSIBILITY OF DETERMINING THE SUITABILITY OF ANY VTE PRODUCT FOR ITS END USE.

LTR.	REVISIONS	DATE	INT.



SCALE FACTOR : NONE
 ALL DIMENSIONS GIVEN AS: in [mm]
 TOLERANCES UNLESS OTHERWISE SPECIFIED :
 MOLDED PARTS: ±.030" [±0.8mm]
 HARDWARE ITEMS: ±.010" [±0.25mm]

MATERIAL PART NO: 111200514
 MATERIAL: GLASS FILLED NYLON
 VENDOR PART NO: S 60G1 V30 Black 15N
 SPECIFIC GRAVITY: 1.42
 MELTING TEMP: 432 F [222 C]
 U.L. RATING: UL 94 V0



VTE Incorporated
 5437 Robinson Road, P.O. Box 790
 Pellston, Michigan 49769
 Telephone: 1-800-527-9256, 231-539-8000
 FAX: 231-539-0914

REF:	DATE:	DRN BY:	EJE	WEIGHT:
CUSTOMER DIMS	09-19-2019	CHK'D BY:		
TITLE: POST TYPE JUNCTION BLOCK				
MATERIAL: Glass Filled Nylon			PART NO.	
COLOR: Natural			327N5B14	
DRG CLASS				

DO NOT SCALE