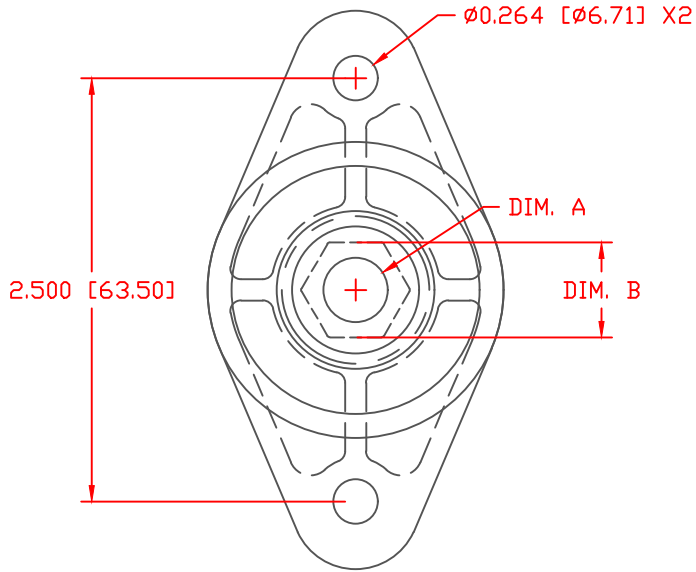
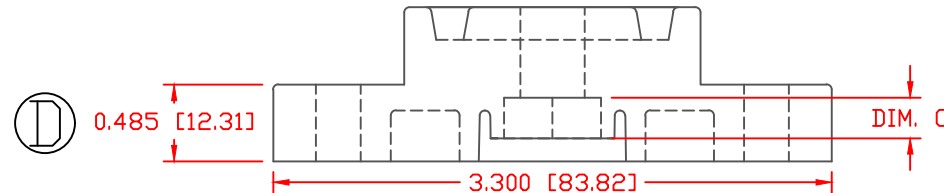
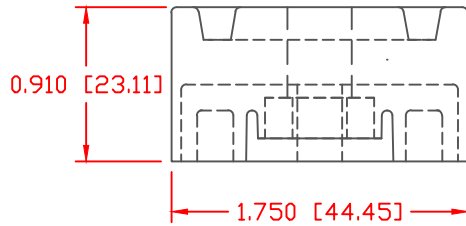


THE INFORMATION CONTAINED IN THIS DRAWING IS THE SOLE PROPERTY OF VTE INCORPORATED. ANY REPRODUCTION IN PART OR WHOLE WITHOUT THE WRITTEN PERMISSION OF VTE INCORPORATED IS PROHIBITED. VTE MAKES NO WARRANTY, EXPRESSED OR IMPLIED, AS TO THE SUITABILITY OF A PRODUCT FOR ANY INTENDED USE. THE CUSTOMER SHALL BEAR THE SOLE RESPONSIBILITY OF DETERMINING THE SUITABILITY OF ANY VTE PRODUCT FOR ITS END USE.

LTR.	REVISIONS	DATE	INT.
A	.502" WAS .482", .572" WAS .558"	03-14-07	BRH
B	INTERNAL UPDATES	03-14-07	BRH
C	ADDED N5 (10MM) OPTION	07-09-08	BRH
D	REVISED DIMENSION FROM 0.453 [11.51]	2-06-18	RAS
E	REVISED MATERIAL INFORMATION	07-17-18	RAS



	*	DIM A	DIM B	DIM C	STUD SIZE
	2	.256"	.447"	.170"	1/4"
(A)	3	.318"	.502"	.228"	5/16"
(A)	4	.375"	.572"	.266"	3/8"
(C)	5	.395"	.665"	.295"	M-10




SCALE FACTOR : NONE  
 ALL DIMENSIONS GIVEN AS: in [mm]  
 TOLERANCES UNLESS OTHERWISE SPECIFIED :  
 MOLDED PARTS:  $\pm 0.030$  [ $\pm 0.8$ mm]  
 HARDWARE ITEMS:  $\pm 0.010$  [ $\pm 0.25$ mm]

MATERIAL PART NO:  
 MATERIAL:  
 VENDOR PART NO:  
 SPECIFIC GRAVITY:  
 MELTING TEMP:  
 U.L. RATING:

111210514UL  
 GLASS FILLED NYLON  
 NYLON N2015 HL BK  
 1.23  
 515 F [268 C]  
 UL 94 HB

DO NOT SCALE



**VTE Incorporated**  
 5437 Robinson Road, P.O. Box 790  
 Pellston, Michigan 49769  
 Telephone: 1-800-527-9256, 231-539-8000  
 FAX: 231-539-0914

REF:	DATE: 11-20-03	DRN BY: BRH	WEIGHT:
CUSTOMER DIMS		CHK'D BY: BRH	.0855 LBS [38.8 g]
TITLE: POST TYPE JUNCTION BLOCK			
MATERIAL: GLASS FILLED NYLON		PART NO.	
COLOR: BLACK		328N5N14	
DRG CLASS: REV E			