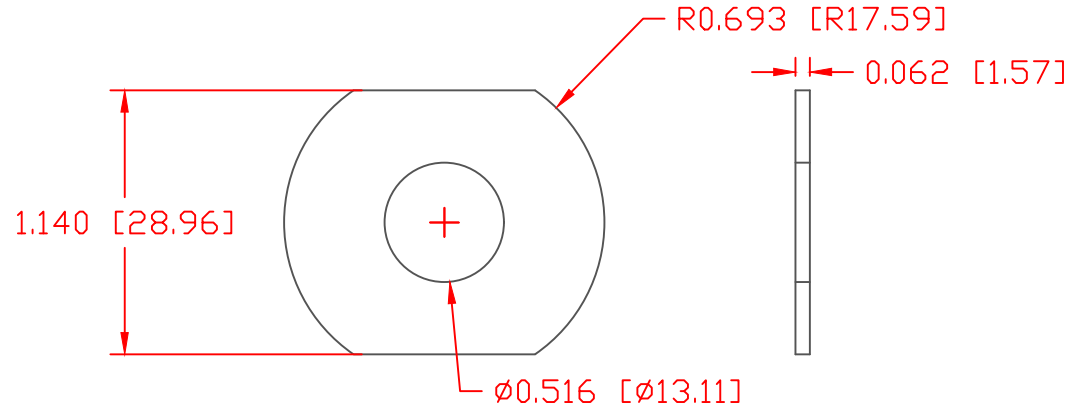


THE INFORMATION CONTAINED IN THIS DRAWING IS THE SOLE PROPERTY OF VTE INCORPORATED. ANY REPRODUCTION IN PART OR WHOLE WITHOUT THE WRITTEN PERMISSION OF VTE INCORPORATED IS PROHIBITED. VTE MAKES NO WARRANTY, EXPRESSED OR IMPLIED, AS TO THE SUITABILITY OF A PRODUCT FOR ANY INTENDED USE. THE CUSTOMER SHALL BEAR THE SOLE RESPONSIBILITY OF DETERMINING THE SUITABILITY OF ANY VTE PRODUCT FOR ITS END USE.

LTR.	REVISIONS	DATE	INT.
△	ADDED MATERIAL ASSEMBLY	12-09-16	RAS



ASSEMBLY PART NUMBER	PANEL THICKNESS IN INCHES	PANEL THICKNESS IN MM	SPACER REQUIRED YES / NO	SPACER PART NUMBER
7B5050*****	0-1/16"	0-1.6MM	NO	
7B5050*****	1/16"-1/8"	1.6MM - 3.2MM	YES	330N5***
7B5051*****	1/8"-3/16"	3.2MM - 4.8MM	NO	
7B5051*****	3/16"-1/4"	4.8MM - 6.4	YES	330N5***
7B5052*****	1/4"-5/16"	6.4MM - 8MM	NO	
7B5052*****	5/16"-3/8"	8MM - 9.6MM	YES	330N5***


TOLERANCE UNLESS OTHERWISE SPECIFIED: ±.030"/±0.8mm
 RADIAL DIAMETERS TO BE MEASURED OVER MANDRELS,
 RING GAGES OR PIN GAGES OF SUITABLE SIZE



VTE ASSEMBLY NO:
 VTE PART NO:
 MATERIAL:
 VENDOR PART NO:
 SPECIFIC GRAVITY:
 MELTING TEMP:
 U.L. RATING:

7111210509
 1111210515UL
 GLASS FILLED NYLON
 DURETHANE BKV 15 H 3.0 00000
 1.23
 415 F [213 C]
 UL 94 HB

DO NOT SCALE



VTE Incorporated
 5437 Robinson Road, P.O. Box 790
 Pellston, Michigan 49769
 Telephone: 1-800-527-9256, 231-539-8000
 FAX: 231-539-0914

REF:	DATE:	DRN BY: BRH	WEIGHT:
CUSTOMER DIMS	06-16-04	CHK'D BY: BRH	.003 LBS [1.43 g]
TITLE: SPACER FOR 1/2" POWER STUD			
MATERIAL: GLASS FILLED NYLON		PART NO.	
COLOR: BLUE		330N5N09	
DRG CLASS			