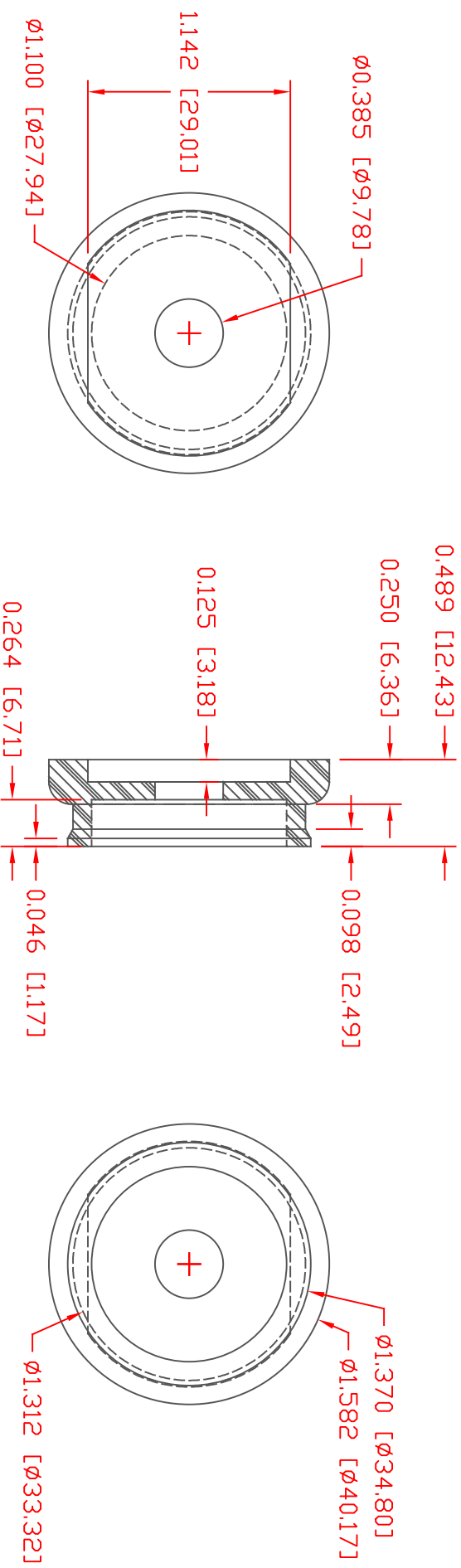


THE INFORMATION CONTAINED IN THIS DRAWING IS THE SOLE PROPERTY OF VTE INCORPORATED. ANY REPRODUCTION IN PART OR WHOLE WITHOUT THE WRITTEN PERMISSION OF VTE INCORPORATED IS PROHIBITED. VTE MAKES NO WARRANTY, EXPRESSED OR IMPLIED, AS TO THE SUITABILITY OF A PRODUCT FOR ANY INTENDED USE. THE CUSTOMER SHALL BEAR THE SOLE RESPONSIBILITY OF DETERMINING THE SUITABILITY OF ANY VTE PRODUCT FOR ITS END USE.



LR	REVISIONS	DATE	INT.
△	REVISED MATERIAL INFORMATION	7-17-18	RAS
EB	REMOVED MAKE FROM P/N 3437 NOTE	5-31-24	RAS

SCALE FACTOR : NONE
 ALL DIMENSIONS GIVEN AS: in [mm]
 TOLERANCES UNLESS OTHERWISE SPECIFIED :
 MOLDED PARTS: ±.030" [±0.8mm]
 HARDWARE ITEMS: ±.010" [±0.25mm]

MATERIAL PART NO:
 MATERIAL:
 VENDOR PART NO:
 SPECIFIC GRAVITY:
 MELTING TEMP:
 UL RATING:

7111210502
 GLASS FILLED NYLON
 DURETHAN BKV 15 H 3.0 000000
 1.23
 415 F [213 C]
 UL 94 HB



VTE Incorporated
 5437 Robinson Road, P.O. Box 790
 Pellston, Michigan 49769
 Telephone: 1-800-527-9256, 231-539-8000
 FAX: 231-539-0914

REF:	DATE:	DRN BY:	BRH	WEIGHT:
CUSTOMER DIMS	1-08-03	CHK'D BY:	BRH	
TITLE: OUTER PANEL BUSHING FOR 3/8" STUD (WEATHERPROOF)				
MATERIAL: GLASS FILLED NYLON			PART NO:	
COLOR: RED	DRG CLASS	REV B	3438N02	