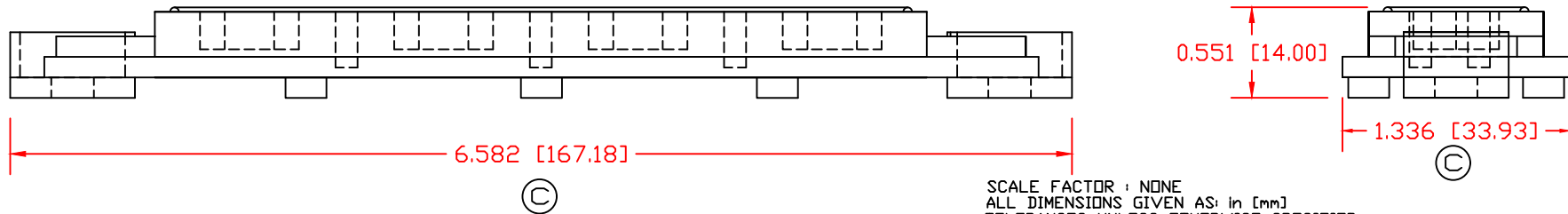
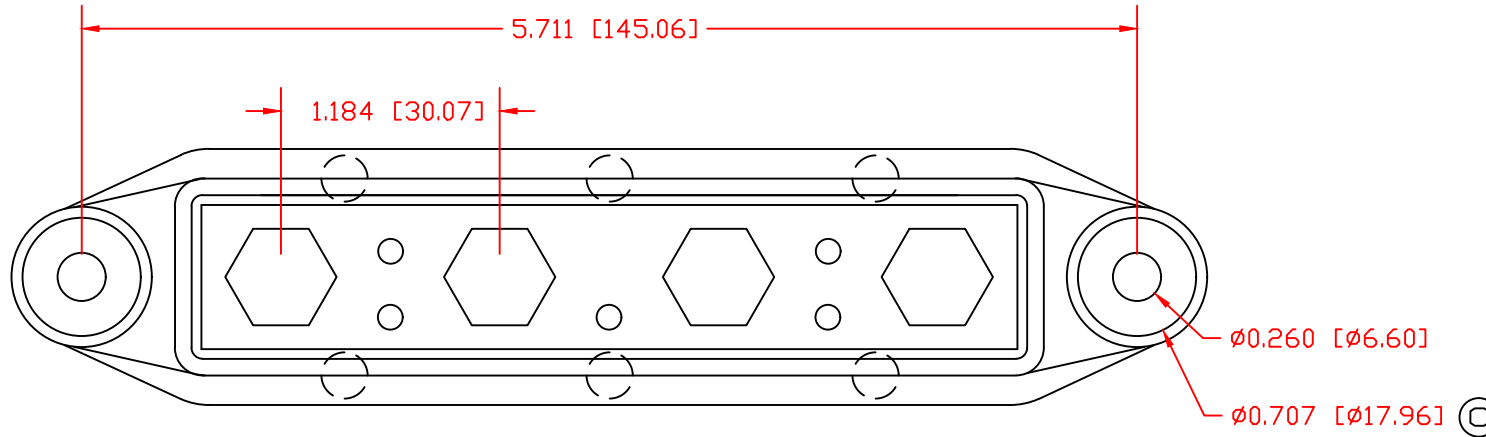


THE INFORMATION CONTAINED IN THIS DRAWING IS THE SOLE PROPERTY OF VTE INCORPORATED. ANY REPRODUCTION IN PART OR WHOLE WITHOUT THE WRITTEN PERMISSION OF VTE INCORPORATED IS PROHIBITED. VTE MAKES NO WARRANTY, EXPRESSED OR IMPLIED, AS TO THE SUITABILITY OF A PRODUCT FOR ANY INTENDED USE. THE CUSTOMER SHALL BEAR THE SOLE RESPONSIBILITY OF DETERMINING THE SUITABILITY OF ANY VTE PRODUCT FOR ITS END USE.

| LTR. | REVISIONS | DATE | INT. |
|------|------------------------------|----------|------|
| A | UPDATED DIMENSIONS | 11-06-12 | BRH |
| B | REVISED MATERIAL INFORMATION | 07-17-18 | RAS |
| C | UPDATED DIMENSIONS | 12-23-20 | EJE |




SCALE FACTOR : NONE
 ALL DIMENSIONS GIVEN AS: in [mm]
 TOLERANCES UNLESS OTHERWISE SPECIFIED :
 MOLDED PARTS: ± 0.030 [± 0.8 mm]
 HARDWARE ITEMS: ± 0.010 [± 0.25 mm]

MATERIAL PART NO:
 MATERIAL:
 VENDOR PART NO:
 SPECIFIC GRAVITY:
 MELTING TEMP:
 U.L. RATING:

7111210502
 GLASS FILLED NYLON
 NYLON N2015 HL NAT
 1.23
 515 F [268 C]
 UL 94 HB

DO NOT SCALE

| | | | | | |
|---|------------|---|-------|-----------|-------------------|
|  | | VTE Incorporated 5437 Robinson Road, P.O. Box 790 Pellston, Michigan 49769 Telephone: 1-800-527-9256, 231-539-8000 FAX: 231-539-0914 | | | |
| | | REF: | DATE: | DRN BY: | BRH |
| | 08-18-2010 | CHK'D BY: | BRH | | .071 LBS [32.3 g] |
| TITLE: BASEPLATE, 4 POINT BUS 8MM | | | | | |
| MATERIAL: GLASS FILLED NYLON | | | | PART NO. | |
| COLOR: RED | | | | 344008N02 | |
| DRG CLASS: REV C | | | | | |