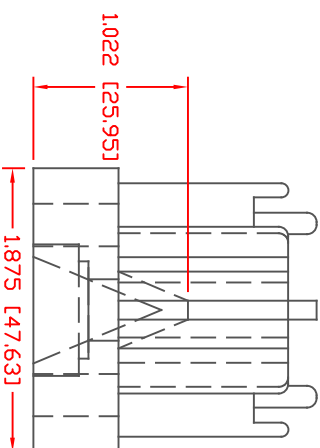
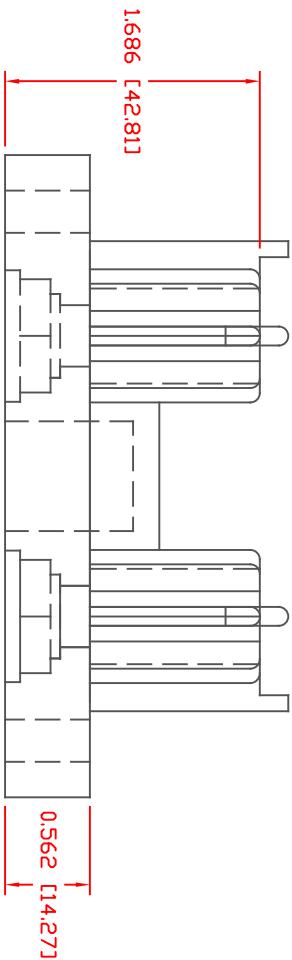
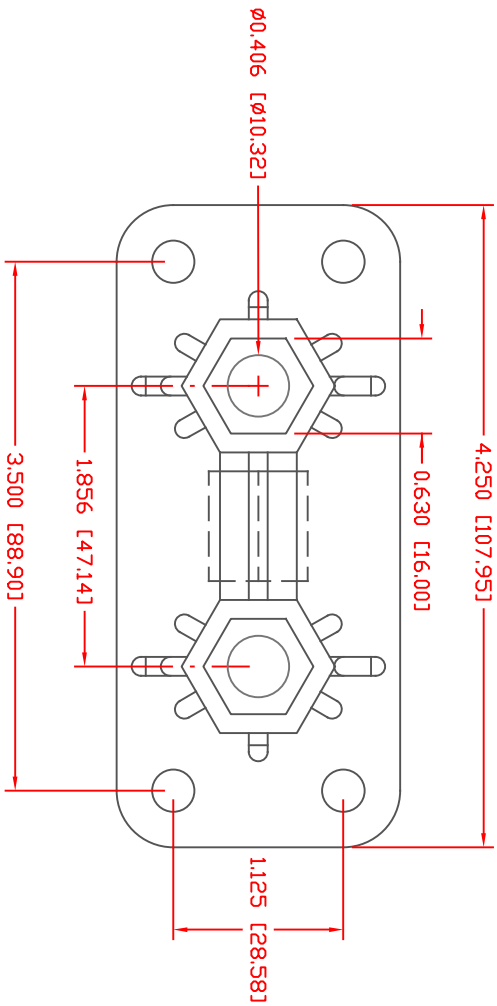


THE INFORMATION CONTAINED IN THIS DRAWING IS THE SOLE PROPERTY OF VTE INCORPORATED. ANY REPRODUCTION IN PART OR WHOLE WITHOUT THE WRITTEN PERMISSION OF VTE INCORPORATED IS PROHIBITED. VTE MAKES NO WARRANTY, EXPRESSED OR IMPLIED, AS TO THE SUITABILITY OF A PRODUCT FOR ANY INTENDED USE. THE CUSTOMER SHALL BEAR THE SOLE RESPONSIBILITY OF DETERMINING THE SUITABILITY OF ANY VTE PRODUCT FOR ITS END USE.

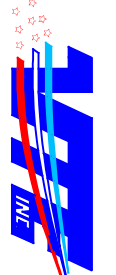
LR	REVISIONS	DATE	INT.
△	REVISED TO ACCEPT HEX CAVITY PLUG	3-08-06	BRH
⊞	REVISED MATERIAL INFORMATION	7-17-18	RAS



SCALE FACTOR : NONE  
 ALL DIMENSIONS GIVEN AS: In [mm]  
 TOLERANCES UNLESS OTHERWISE SPECIFIED :  
 MOLDED PARTS: ±0.30" [±0.8mm]  
 HARDWARE ITEMS: ±0.10" [±0.25mm]

MATERIAL PART NO:  
 MATERIAL:  
 VENDOR PART NO:  
 SPECIFIC GRAVITY:  
 MELTING TEMP:  
 UL RATING:

7111210502  
 GLASS FILLED NYLON  
 HYLDN N2015 HL NAT  
 1.23  
 515 F [268 C]  
 UL 94 HB

 <p><b>VTE Incorporated</b>          5437 Robinson Road, P.O. Box 790          Pellston, Michigan 49769          Telephone: 1-800-527-9256, 231-539-8000          FAX: 231-539-0914</p>					
				REF:	DATE:
CUSTOMER DIMS	07-26-05	CHK'D BY:	BRH	.166 LBS [75.3 g]	
TITLE: 'T' CLASS FUSE HOLDER					
MATERIAL: GLASS FILLED NYLON	PART NO:		350N9N02		
COLOR: RED	DRG CLASS	REV B			

DO NOT SCALE