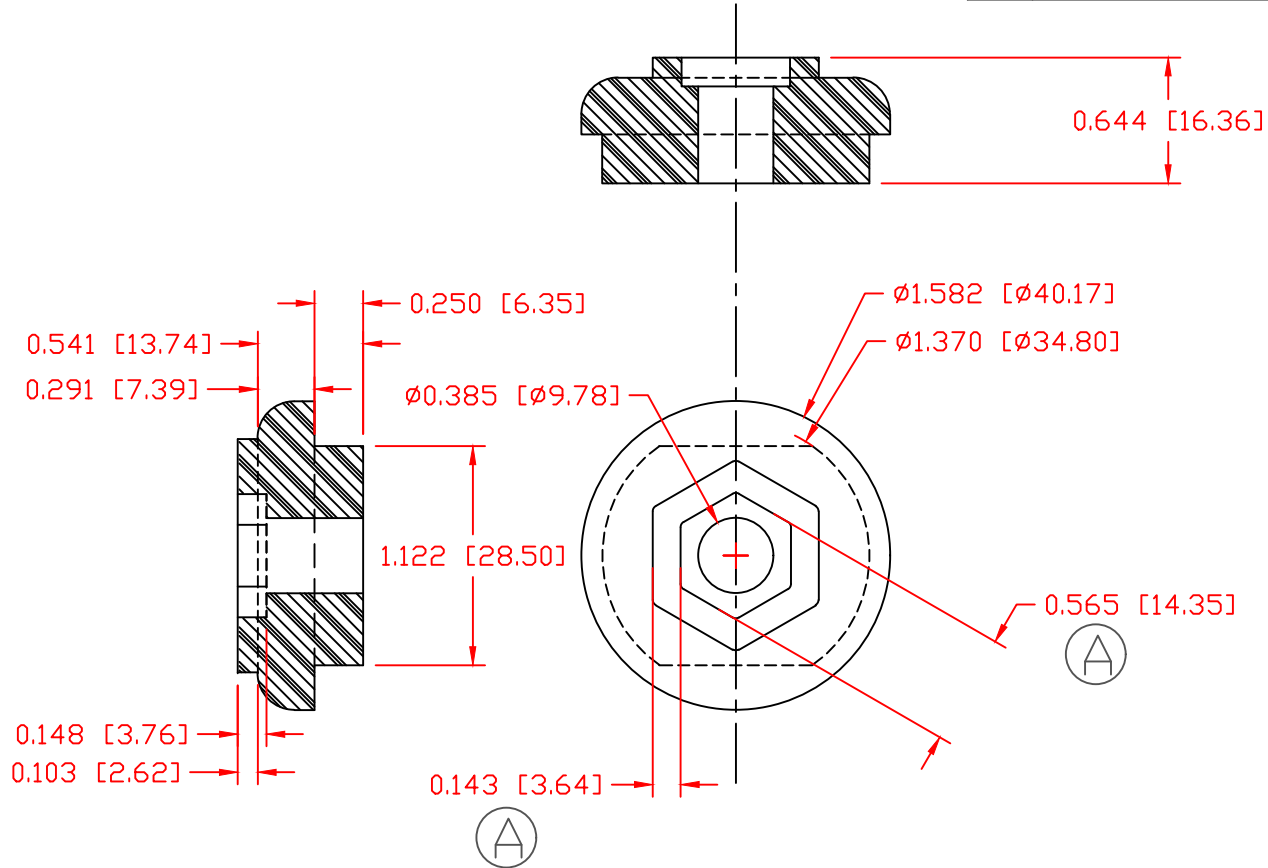


THE INFORMATION CONTAINED IN THIS DRAWING IS THE SOLE PROPERTY OF VTE INCORPORATED. ANY REPRODUCTION IN PART OR WHOLE WITHOUT THE WRITTEN PERMISSION OF VTE INCORPORATED IS PROHIBITED. VTE MAKES NO WARRANTY, EXPRESSED OR IMPLIED, AS TO THE SUITABILITY OF A PRODUCT FOR ANY INTENDED USE. THE CUSTOMER SHALL BEAR THE SOLE RESPONSIBILITY OF DETERMINING THE SUITABILITY OF ANY VTE PRODUCT FOR ITS END USE.

| LTR. | REVISIONS                        | DATE     | INT. |
|------|----------------------------------|----------|------|
| A    | .565" WAS .555", .143" WAS .148" | 04-16-03 | BRH  |
| B    | ADDED MATERIAL ASSEMBLY          | 12-12-16 | JMM  |
| C    | REVISED MATERIAL INFORMATION     | 07-17-18 | RAS  |



ALL DIMENSIONS GIVEN AS: in [mm]  
 MOLDED PARTS: ±.030" [±0.8mm]  
 HARDWARE ITEMS: ±.010" [±0.25mm]

MATERIAL PART NO:  
 MATERIAL:  
 VENDOR PART NO:  
 SPECIFIC GRAVITY:  
 MELTING TEMP:  
 U.L. RATING:

7111210502  
 GLASS FILLED NYLON  
 NYLON N2015 HL NAT  
 1.23  
 515 F [268 C]  
 UL 94 HB



**VTE Incorporated**  
 5437 Robinson Road, P.O. Box 790  
 Pellston, Michigan 49769  
 Telephone: 1-800-527-9256, 231-539-8000  
 FAX: 231-539-0914

|  |           |           |          |         |
|--|-----------|-----------|----------|---------|
| REF:   | DATE:     | DRN BY:   | BRH      | WEIGHT: |
| CUSTOMER DIMS                                  | 1-08-03   | CHK'D BY: | BRH      |         |
| TITLE: INNER PANEL BUSHING FOR 3/8" POWER STUD |           |           |          |         |
| MATERIAL: GLASS FILLED NYLON                   |           |           | PART NO. |         |
| COLOR: RED                                     | DRG CLASS | REV C     | 3531N02  |         |

DO NOT SCALE