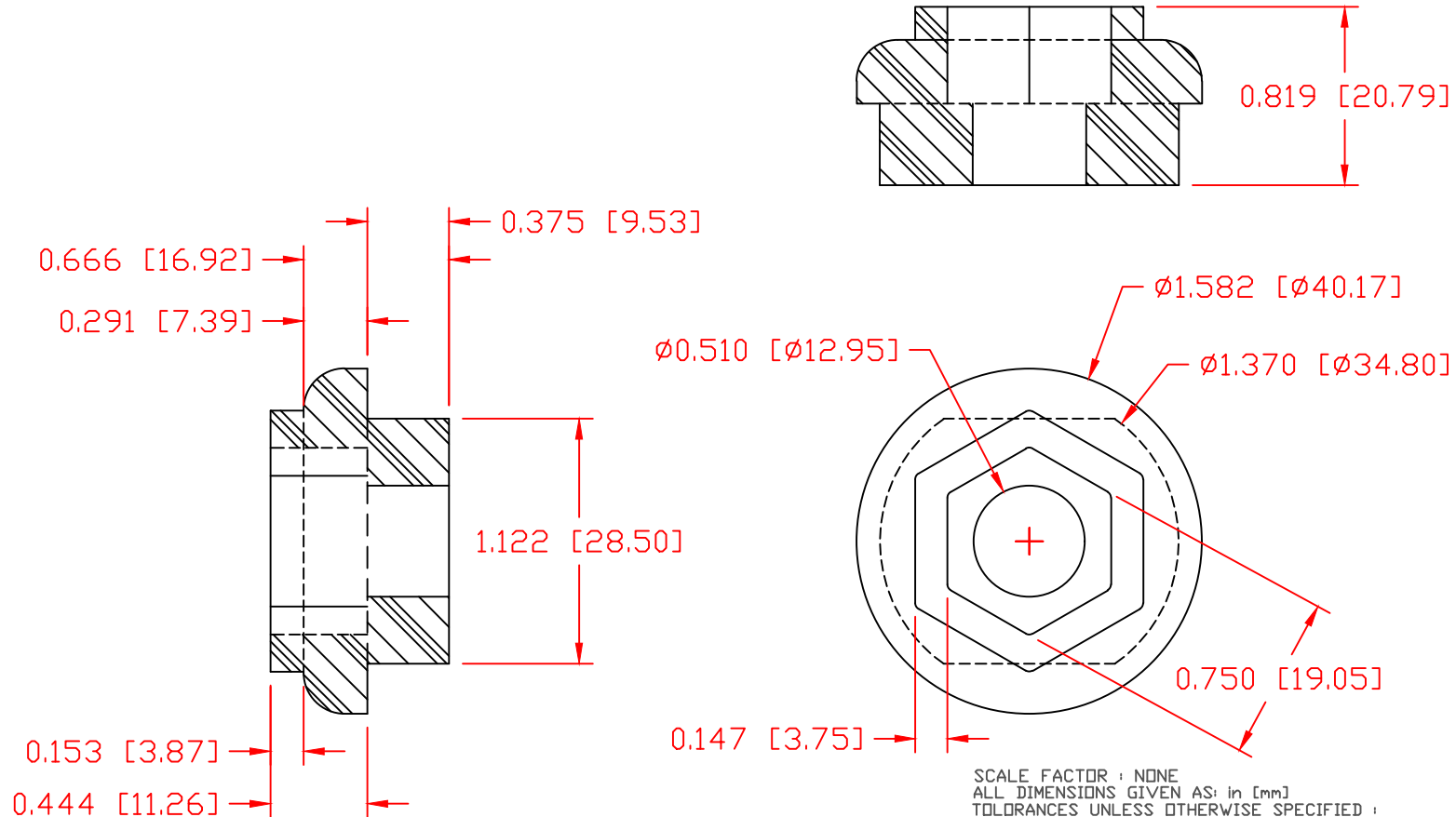


THE INFORMATION CONTAINED IN THIS DRAWING IS THE SOLE PROPERTY OF VTE INCORPORATED. ANY REPRODUCTION IN PART OR WHOLE WITHOUT THE WRITTEN PERMISSION OF VTE INCORPORATED IS PROHIBITED. VTE MAKES NO WARRANTY, EXPRESSED OR IMPLIED, AS TO THE SUITABILITY OF A PRODUCT FOR ANY INTENDED USE. THE CUSTOMER SHALL BEAR THE SOLE RESPONSIBILITY OF DETERMINING THE SUITABILITY OF ANY VTE PRODUCT FOR ITS END USE.

LTR.	REVISIONS	DATE	INT.
A	DEPTH OF HEX INCREASED	02-14-16	BRH
B	ADDED MATERIAL ASSEMBLY	12-12-16	JMM
C	REVISED MATERIAL INFORMATION	07-17-18	RAS



SCALE FACTOR : NONE  
 ALL DIMENSIONS GIVEN AS: in [mm]  
 TOLERANCES UNLESS OTHERWISE SPECIFIED :  
 MOLDED PARTS:  $\pm 0.030$ " [ $\pm 0.8$ mm]  
 HARDWARE ITEMS:  $\pm 0.010$ " [ $\pm 0.25$ mm]

MATERIAL PART NO:  
 MATERIAL:  
 VENDOR PART NO:  
 SPECIFIC GRAVITY:  
 MELTING TEMP:  
 U.L. RATING:

1111210514UL  
 GLASS FILLED NYLON  
 NYLON N2015 HL BK  
 1.23  
 515 F [268 C]  
 UL 94 HB

**VTE Incorporated**  
 5437 Robinson Road, P.O. Box 790  
 Pellston, Michigan 49769  
 Telephone: 1-800-527-9256, 231-539-8000  
 FAX: 231-539-0914

REF: CUSTOMER DIMS	DATE: 1-08-03	DRN BY: BRH	WEIGHT:
		CHK'D BY: BRH	
TITLE: INNER PANEL BUSHING FOR 1/2" POWER STUD			
MATERIAL: GLASS FILLED NYLON		PART NO.	
COLOR: BLACK		3552N14	
DRG CLASS REV C			

DO NOT SCALE