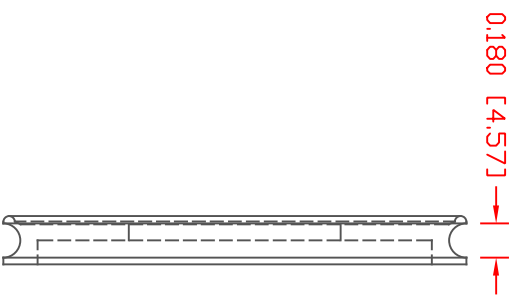
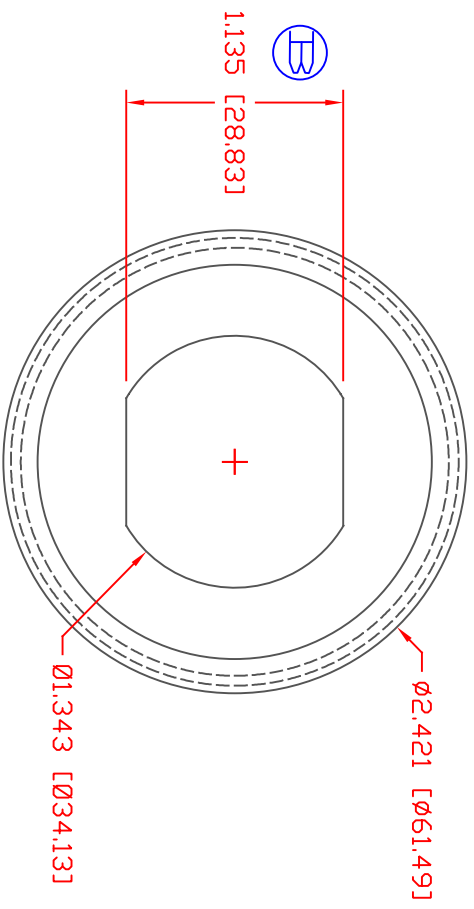
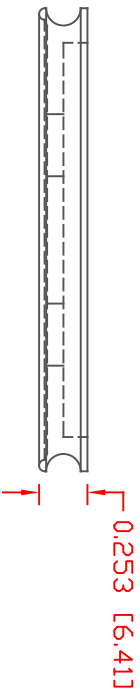



THE INFORMATION CONTAINED IN THIS DRAWING IS THE SOLE PROPERTY OF VTE INCORPORATED. ANY REPRODUCTION IN PART OR WHOLE WITHOUT THE WRITTEN PERMISSION OF VTE INCORPORATED IS PROHIBITED. VTE MAKES NO WARRANTY, EXPRESSED OR IMPLIED, AS TO THE SUITABILITY OF A PRODUCT FOR ANY INTENDED USE. THE CUSTOMER SHALL BEAR THE SOLE RESPONSIBILITY OF DETERMINING THE SUITABILITY OF ANY VTE PRODUCT FOR ITS END USE.

LR.	REVISIONS	DATE	INT.
B	MATERIAL CHANGED FROM PVC 65 TO PVC 95	05-06-10	BRH
B	1.135" WAS 1.108"	10-27-12	BRH



SCALE FACTOR : NONE
 ALL DIMENSIONS GIVEN AS: in [mm]
 TOLERANCES UNLESS OTHERWISE SPECIFIED :
 MOLDED PARTS: ±0.30° [±0.8mm]
 ALL ANGLES ARE ± 1 DEGREE



VTE Incorporated
 5437 Robinson Road, P.O. Box 790
 Pellston, Michigan 49769
 Telephone: 1-800-527-9256, 231-539-8000
 FAX: 231-539-0914

VTE PART NO: 1101900102
 MATERIAL: PVC
 VENDOR PART NO: 9812-95-RED 683
 SHORE DUREMETER: "A" 10 SEC. 95
 SPECIFIC GRAVITY: 1.49
 ULT. ELONGATION %: 200
 MELTING TEMP: 345-365 F [174-185 C]
 Tensile Strength PSI: 2100
 Dielectric Strength, v./mil: 438
 U.L. Rating: V2

DO NOT SCALE

REF.	DATE	DRN BY:	BRH	WEIGHT:
CUSTOMER DIMS	10-22-08	CHK'D BY:	BRH	.020 LBS [9.3 g]
TITLE	WASHER, SEALING COPPER CORE POWER BUSHING			
MATERIAL:	PVC	PART NO:	358N0V02	
COLOR:	RED	DRG CLASS	REV B	