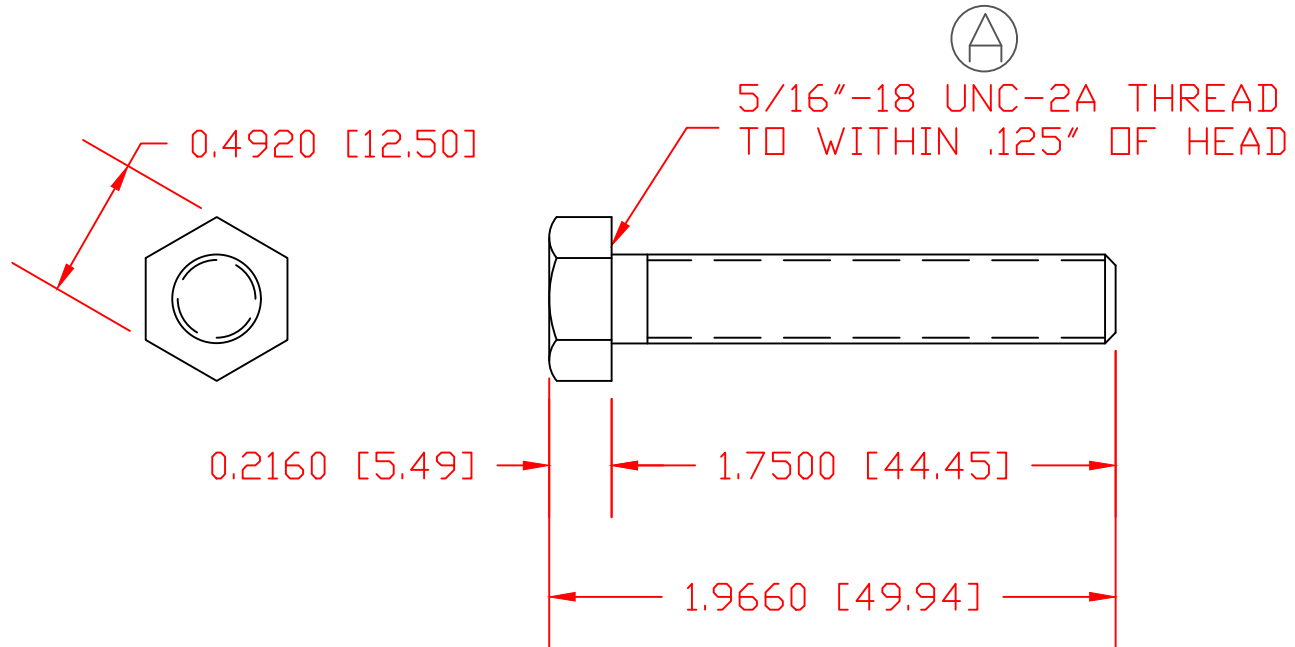


THE INFORMATION CONTAINED IN THIS DRAWING IS THE SOLE PROPERTY OF VTE INCORPORATED. ANY REPRODUCTION IN PART OR WHOLE WITHOUT THE WRITTEN PERMISSION OF VTE INCORPORATED IS PROHIBITED. VTE MAKES NO WARRANTY, EXPRESSED OR IMPLIED, AS TO THE SUITABILITY OF A PRODUCT FOR ANY INTENDED USE. THE CUSTOMER SHALL BEAR THE SOLE RESPONSIBILITY OF DETERMINING THE SUITABILITY OF ANY VTE PRODUCT FOR ITS END USE.

LTR.	REVISIONS	DATE	INT.
△	ADDED CLASS OF FIT	3-05-08	BRH



SCALE FACTOR : NONE  
 ALL DIMENSIONS GIVEN AS: in [mm]  
 FASTENERS MEET IFI STANDARDS  
 TOLERANCES UNLESS OTHERWISE SPECIFIED :  
 HARDWARE ITEMS: ±.010" [±0.25mm]

P/N 3730-001  
 5/16"-18 FULLY THREADED  
 18-8 STAINLESS STEEL BOLT



VTE Incorporated  
 5437 Robinson Road, P.O. Box 790  
 Pellston, Michigan 49769  
 Telephone: 1-800-527-9256, 231-539-8000  
 FAX: 231-539-0914

REF:	DATE:	DRN BY:	BRH	WEIGHT:
CUSTOMER DIMS	12-13-04	CHK'D BY:	BRH	
TITLE: 5/16"-18 X 1.75" STAINLESS BOLT				
MATERIAL: 18-8 STAINLESS STEEL			PART NO.	
COLOR:	DRG CLASS	REV A	3730-001	