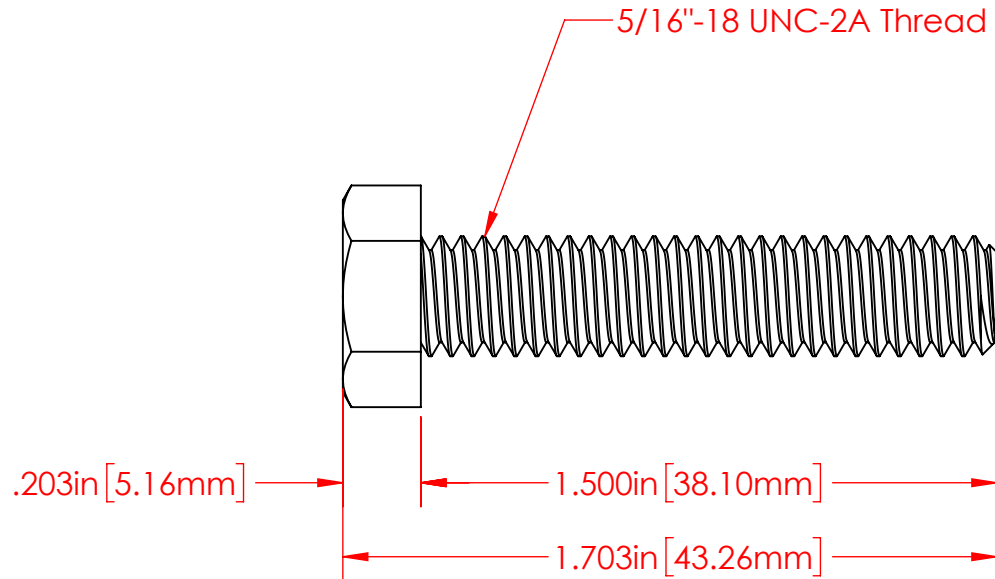
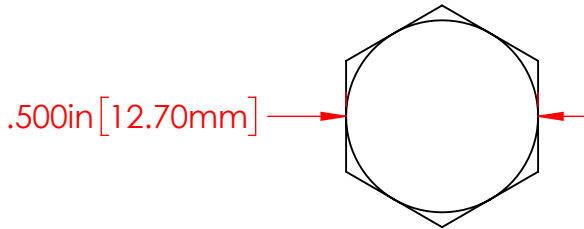
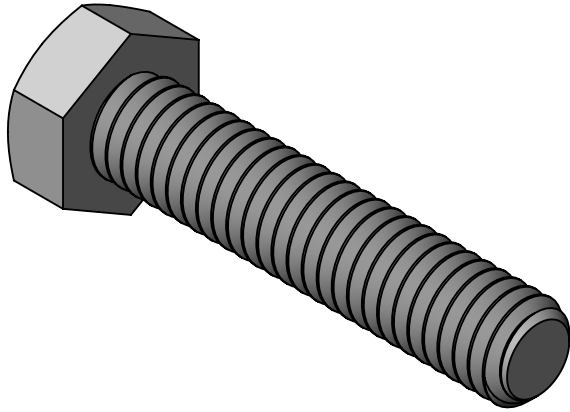


REVISIONS			
REV.	DESCRIPTION	DATE	APPROVED
C	Redrawn in Solidworks	12-23-2023	RAS



P/N 3730-002
5/16"-18 Fully Threaded
18-8 Stainless Steel Bolt

Part Material :
18-8 Stainless Steel

ALL DIMENSIONS GIVEN AS : INCH [METRIC]
TOLERANCES UNLESS OTHERWISE SPECIFIED :
HARDWARE PRODUCTS : ±.010" / ±0.25mm

PRINTED COPIES ARE NOT CONTROLLED
PROPRIETARY AND CONFIDENTIAL
THE INFORMATION CONTAINED IN THIS
DRAWING IS THE SOLE PROPERTY OF
VTE INCORPORATED. ANY REPRODUCTION
IN PART OR AS A WHOLE WITHOUT THE WRITTEN
PERMISSION OF VTE INCORPORATED PROHIBITED.



VTE INCORPORATED

5437 Robinson Road, P.O. Box 790
Pellston, Michigan 49769 USA
Telephone : 1-800-527-9256, 231-539-8000
Fax : 231-539-0914, Efax : 231-344-5914

REV	C	NAME	DATE
		DRAWN BY:	RAS 12-23-22
SIZE	A	CHECKED BY:	
DO NOT SCALE DRAWING			

TITLE:	5/16"-18 x 1.5" Stainless Steel Bolt
DWG. NO.	3730-002