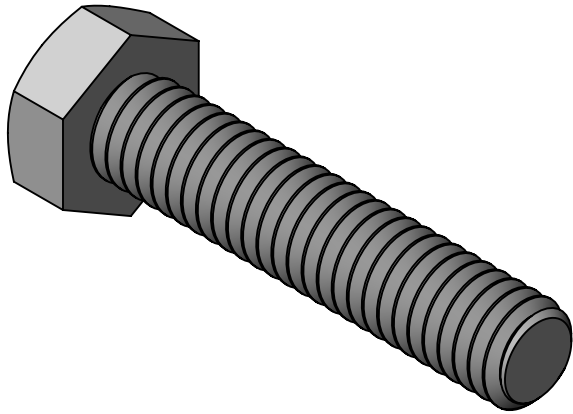
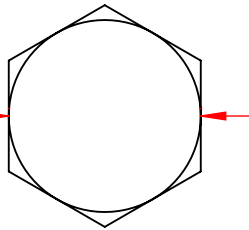


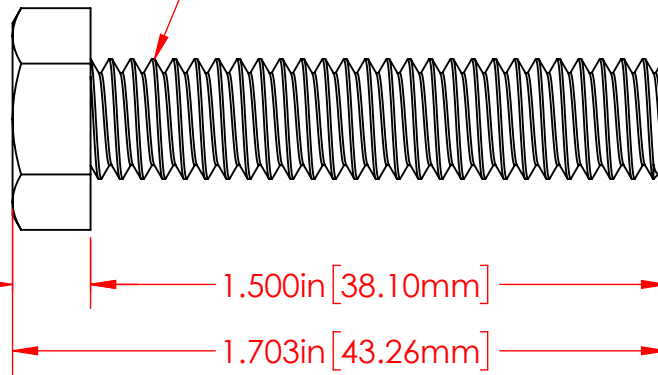
REVISIONS			
REV.	DESCRIPTION	DATE	APPROVED
A	Redrawn in Solidworks	12/23/2022	RAS



0.500in [12.70mm]



0.203in [5.16mm]



5/16"-18 UNC-2A Thread

1.500in [38.10mm]

1.703in [43.26mm]

P/N 3730-011
5/16"-18 Fully Threaded
18-8 Stainless Steel Bolt

Part Material :
18-8 Stainless Steel

ALL DIMENSIONS GIVEN AS : INCH [METRIC]
TOLERANCES UNLESS OTHERWISE SPECIFIED :
HARDWARE PRODUCTS : ±.010" / ±0.25mm

PRINTED COPIES ARE NOT CONTROLLED
PROPRIETARY AND CONFIDENTIAL
THE INFORMATION CONTAINED IN THIS
DRAWING IS THE SOLE PROPERTY OF
VTE INCORPORATED. ANY REPRODUCTION
IN PART OR AS A WHOLE WITHOUT THE WRITTEN
PERMISSION OF VTE INCORPORATED PROHIBITED.



VTE INCORPORATED

5437 Robinson Road, P.O. Box 790
Pellston, Michigan 49769 USA
Telephone : 1-800-527-9256, 231-539-8000
Fax : 231-539-0914, Efax : 231-344-5914

REV	A	NAME	DATE
SIZE	A	DRAWN BY:	RAS
		CHECKED BY:	
DO NOT SCALE DRAWING			

TITLE:
5/16"-18 x 1-1/2" Stainless Steel Bolt

DWG. NO. **3730-011**