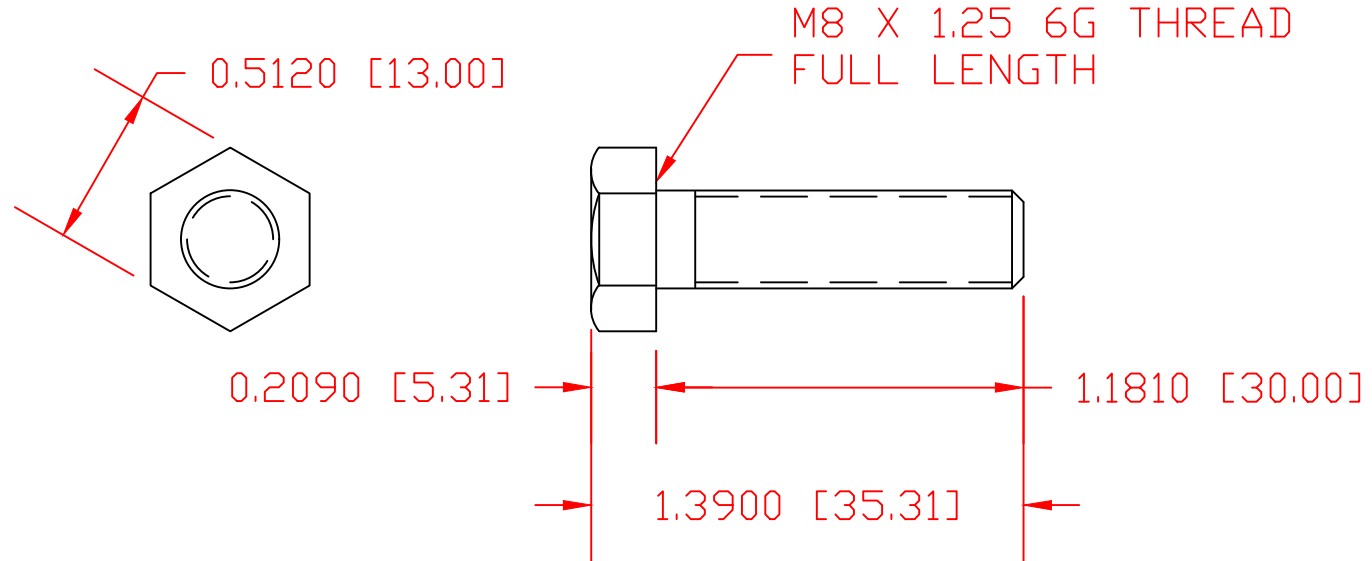



THE INFORMATION CONTAINED IN THIS DRAWING IS THE SOLE PROPERTY OF VTE INCORPORATED. ANY REPRODUCTION IN PART OR WHOLE WITHOUT THE WRITTEN PERMISSION OF VTE INCORPORATED IS PROHIBITED. VTE MAKES NO WARRANTY, EXPRESSED OR IMPLIED, AS TO THE SUITABILITY OF A PRODUCT FOR ANY INTENDED USE. THE CUSTOMER SHALL BEAR THE SOLE RESPONSIBILITY OF DETERMINING THE SUITABILITY OF ANY VTE PRODUCT FOR ITS END USE.

LTR.	REVISIONS	DATE	INT.



SCALE FACTOR : NONE  
 ALL DIMENSIONS GIVEN AS: in [mm]  
 FASTENERS MEET IFI STANDARDS  
 TOLERANCES UNLESS OTHERWISE SPECIFIED :  
 HARDWARE ITEMS: ±.010" [±0.25mm]

P/N 3731-001  
 M8 X 1.25 FULLY THREADED  
 18-8 STAINLESS STEEL

		<b>VTE Incorporated</b> 5437 Robinson Road, P.O. Box 790 Pellston, Michigan 49769 Telephone: 1-800-527-9256, 231-539-8000 FAX: 231-539-0914			
		REF:	DATE:	DRN BY:	BRH
CUSTOMER DIMS	05-04-10	CHK'D BY:	BRH		
TITLE: M8 X 1.25 X 30 STAINLESS BOLT					
MATERIAL: 18-8 STAINLESS STEEL			PART NO.		
COLOR:	DRG CLASS	3731-001			