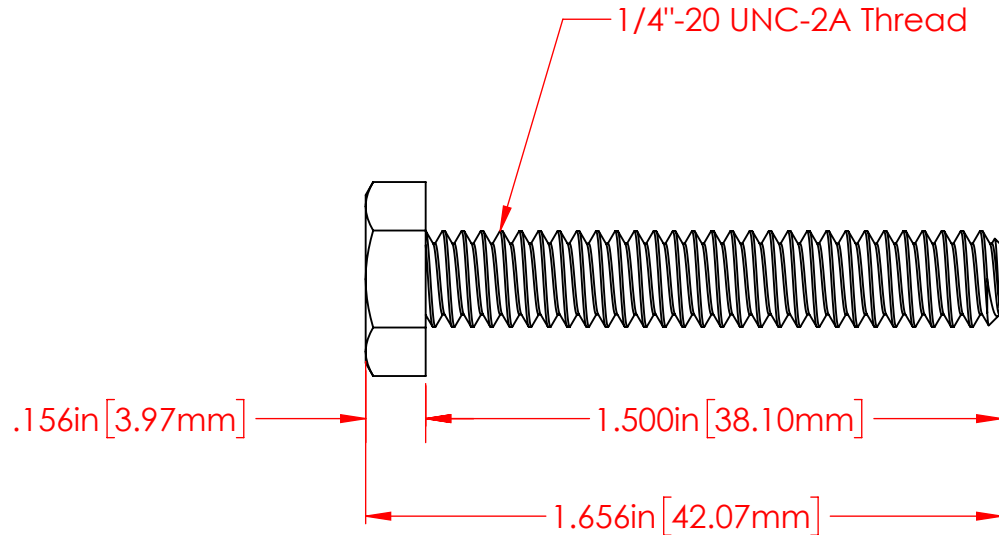
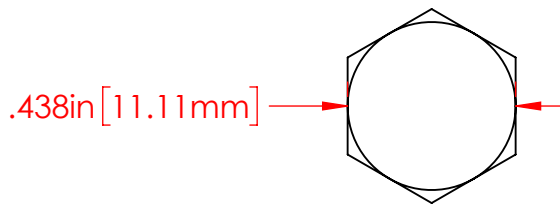
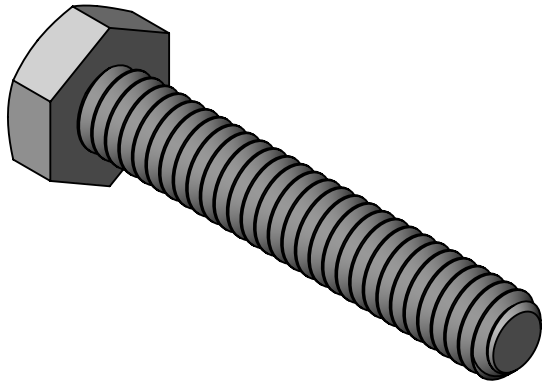


REVISIONS			
REV.	DESCRIPTION	DATE	APPROVED



P/N 3736-005
 1/4"-20 x 1.5" Fully Threaded
 18-8 Stainless Steel Bolt

Part Material :
 18-8 Stainless Steel

ALL DIMENSIONS GIVEN AS : INCH [METRIC]
 TOLERANCES UNLESS OTHERWISE SPECIFIED :
 HARDWARE PRODUCTS : ±.010" / ±0.25mm

PRINTED COPIES ARE NOT CONTROLLED
PROPRIETARY AND CONFIDENTIAL
 THE INFORMATION CONTAINED IN THIS
 DRAWING IS THE SOLE PROPERTY OF
 VTE INCORPORATED. ANY REPRODUCTION
 IN PART OR AS A WHOLE WITHOUT THE WRITTEN
 PERMISSION OF VTE INCORPORATED PROHIBITED.



VTE INCORPORATED

5437 Robinson Road, P.O. Box 790
 Pellston, Michigan 49769 USA
 Telephone : 1-800-527-9256, 231-539-8000
 Fax : 231-539-0914, Efax : 231-344-5914

REV	NAME	DATE
	DRAWN BY: RAS	12-28-22
SIZE	CHECKED BY:	
A	DO NOT SCALE DRAWING	

TITLE:	1/4"-20 x 1.5" Stainless Steel Bolt
DWG. NO.	3736-005