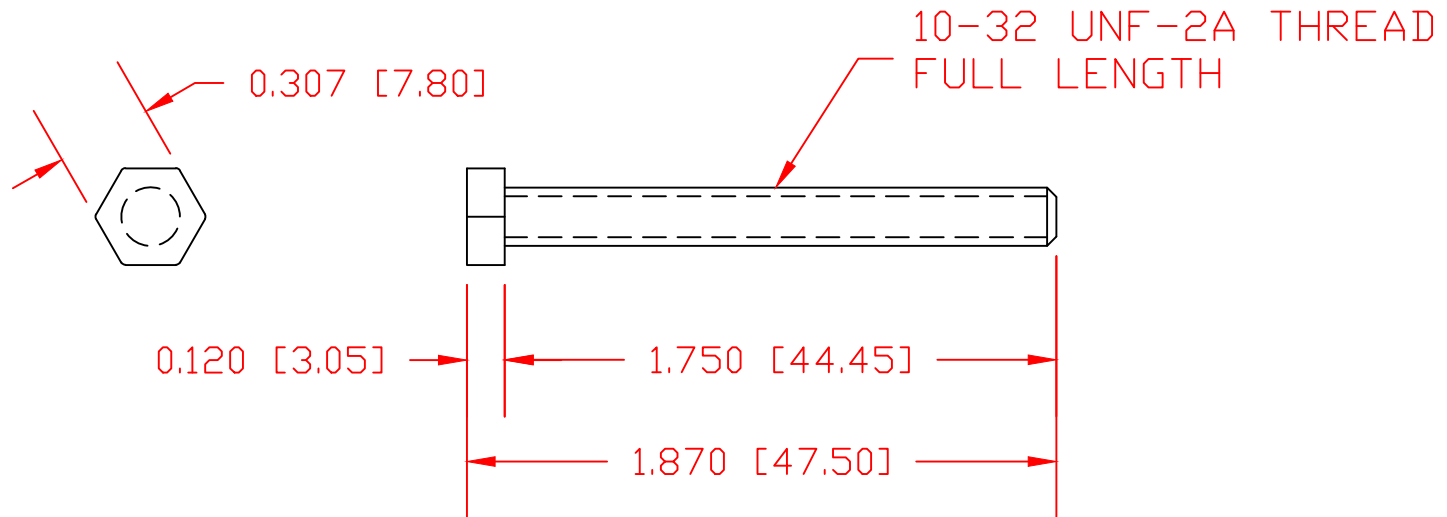



THE INFORMATION CONTAINED IN THIS DRAWING IS THE SOLE PROPERTY OF VTE INCORPORATED. ANY REPRODUCTION IN PART OR WHOLE WITHOUT THE WRITTEN PERMISSION OF VTE INCORPORATED IS PROHIBITED. VTE MAKES NO WARRANTY, EXPRESSED OR IMPLIED, AS TO THE SUITABILITY OF A PRODUCT FOR ANY INTENDED USE. THE CUSTOMER SHALL BEAR THE SOLE RESPONSIBILITY OF DETERMINING THE SUITABILITY OF ANY VTE PRODUCT FOR ITS END USE.

LTR.	REVISIONS	DATE	INT.



SCALE FACTOR : NONE
 ALL DIMENSIONS GIVEN AS: in [mm]
 FASTENERS MEET IFI STANDARDS
 TOLERANCES UNLESS OTHERWISE SPECIFIED :
 HARDWARE ITEMS: ±.010" [±0.25mm]

P/N 3737-001
 10-32 FULLY THREADED
 STAINLESS STEEL BOLT

		VTE Incorporated 5437 Robinson Road, P.O. Box 790 Pellston, Michigan 49769 Telephone: 1-800-527-9256, 231-539-8000 FAX: 231-539-0914	
		REF: CUSTOMER DIMS	DATE: 12-13-04
TITLE: 10-32 X 1.750" STAINLESS BOLT			
MATERIAL: STAINLESS STEEL		PART NO.	
COLOR:	DRG CLASS	3737-001	