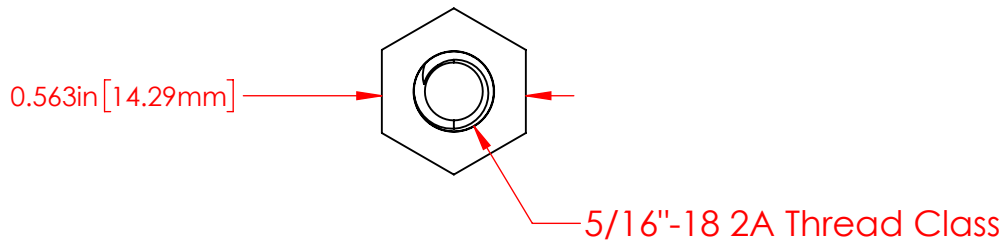
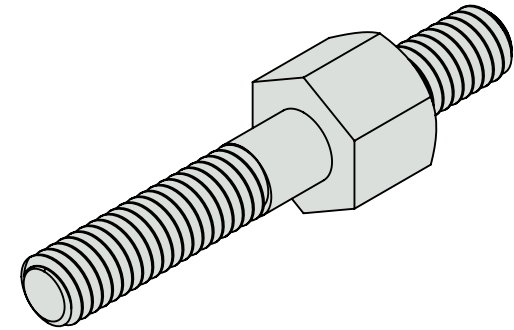
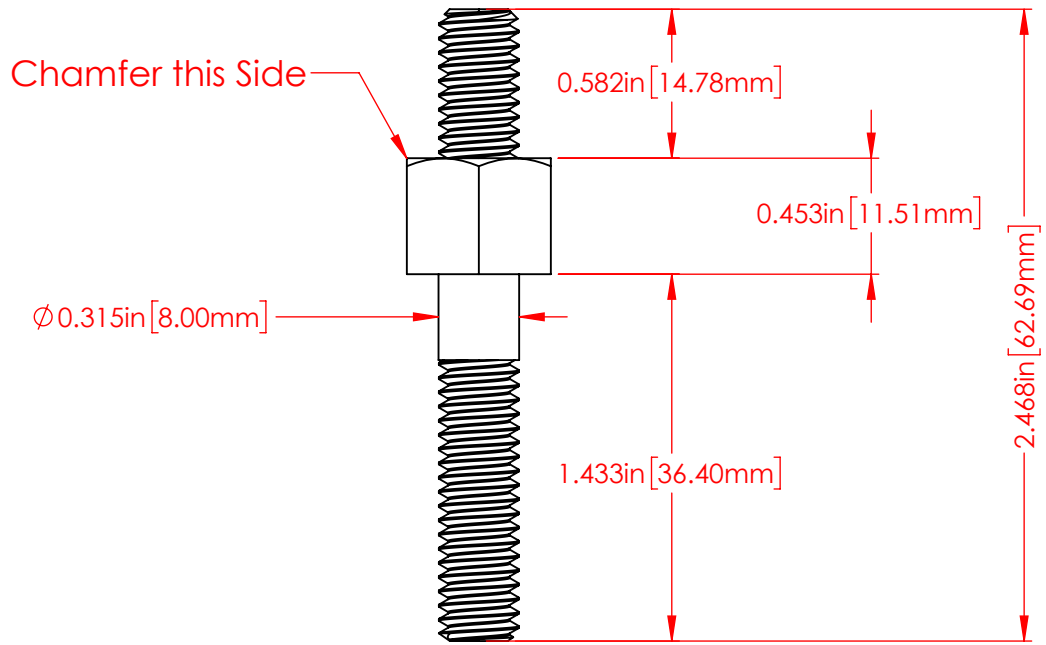


| REVISIONS |             |      |          |
|-----------|-------------|------|----------|
| REV.      | DESCRIPTION | DATE | APPROVED |



P/N 3739-005  
 Nickel Plated 360 Brass Alloy  
 Double Ended Stud  
 5/16"-18 Threaded Both ends

Part Material :  
 Nickel Plated 360 Brass

TOLERANCES UNLESS OTHERWISE SPECIFIED :  
 MOLDED PRODUCTS ONLY : ±.030" / ±0.8mm  
 HARDWARE ITEMS : ±.010" / ±0.25mm



**VTE INCORPORATED**  
 5437 Robinson Road, P.O. Box 790  
 Pellston, Michigan 49769 USA  
 Telephone : 1-800-527-9256, 231-539-8000  
 Fax : 231-539-0914, Efax : 231-344-5914

PRINTED COPIES ARE NOT CONTROLLED

**PROPRIETARY AND CONFIDENTIAL**  
 THE INFORMATION CONTAINED IN THIS  
 DRAWING IS THE SOLE PROPERTY OF  
 VTE INCORPORATED. ANY REPRODUCTION  
 IN PART OR AS A WHOLE WITHOUT THE WRITTEN  
 PERMISSION OF VTE INCORPORATED PROHIBITED.

|             |                      |          |
|-------------|----------------------|----------|
| REV         | NAME                 | DATE     |
| DRAWN BY:   | RAS                  | 11-28-22 |
| CHECKED BY: | PJK                  | 11-28-22 |
| SIZE        | DO NOT SCALE DRAWING |          |
| <b>A</b>    |                      |          |

TITLE: Double Ended Threaded Stud

DWG. NO. **3739-005**