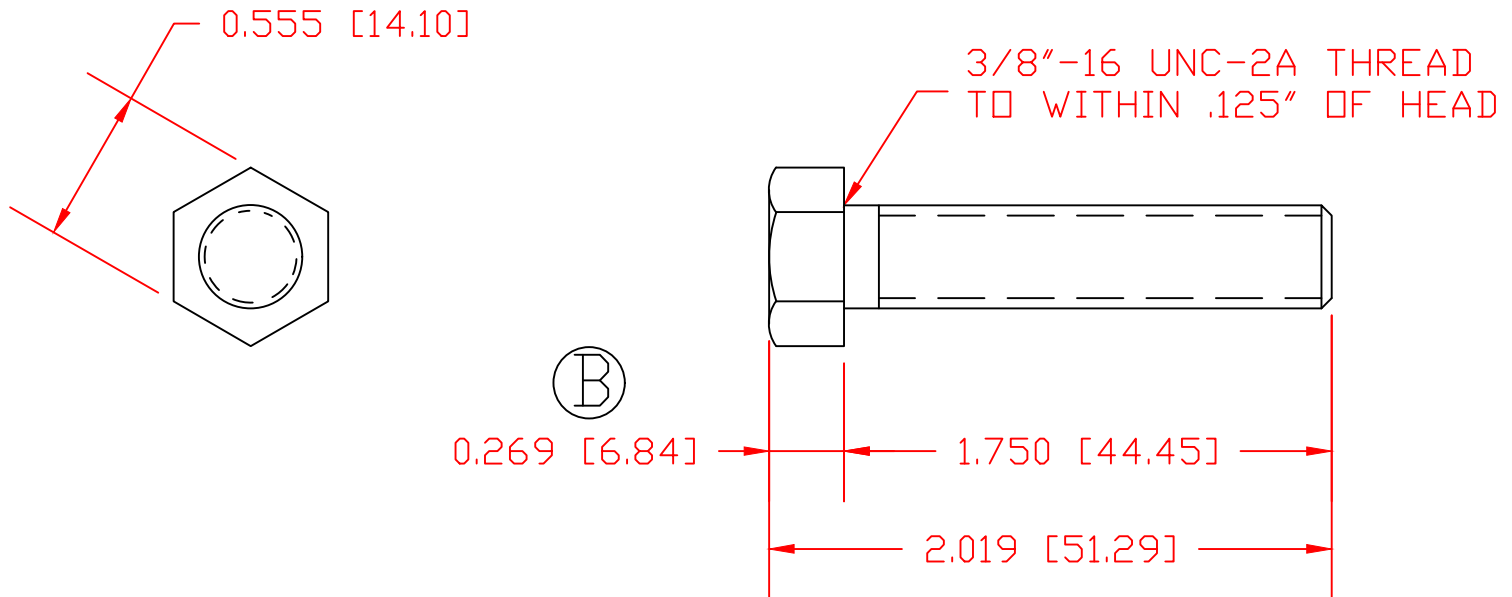



THE INFORMATION CONTAINED IN THIS DRAWING IS THE SOLE PROPERTY OF VTE INCORPORATED. ANY REPRODUCTION IN PART OR WHOLE WITHOUT THE WRITTEN PERMISSION OF VTE INCORPORATED IS PROHIBITED. VTE MAKES NO WARRANTY, EXPRESSED OR IMPLIED, AS TO THE SUITABILITY OF A PRODUCT FOR ANY INTENDED USE. THE CUSTOMER SHALL BEAR THE SOLE RESPONSIBILITY OF DETERMINING THE SUITABILITY OF ANY VTE PRODUCT FOR ITS END USE.

LTR.	REVISIONS	DATE	INT.
△	ADDED CLASS OF FIT	3-06-08	BRH
Ⓑ	REVISED TO AGREE WITH ASME STD.	10-23-12	BRH



SCALE FACTOR : NONE  
 ALL DIMENSIONS GIVEN AS: in [mm]  
 FASTENERS MEET IFI STANDARDS  
 TOLERANCES UNLESS OTHERWISE SPECIFIED :  
 HARDWARE ITEMS: ±.010" [±0.25mm]

P/N 3740-004 (A)  
 3/8"-16 FULLY THREADED  
 COPPER BOLT

		<b>VTE Incorporated</b> 5437 Robinson Road, P.O. Box 790 Pellston, Michigan 49769 Telephone: 1-800-527-9256, 231-539-8000 FAX: 231-539-0914	
		REF: CUSTOMER DIMS	DATE: 1-08-03
		CHK'D BY: BRH	
TITLE: 3/8"-16 X 1.75" COPPER BOLT			
MATERIAL: COPPER		PART NO.	
COLOR:	DRG CLASS REV B	3740-004	