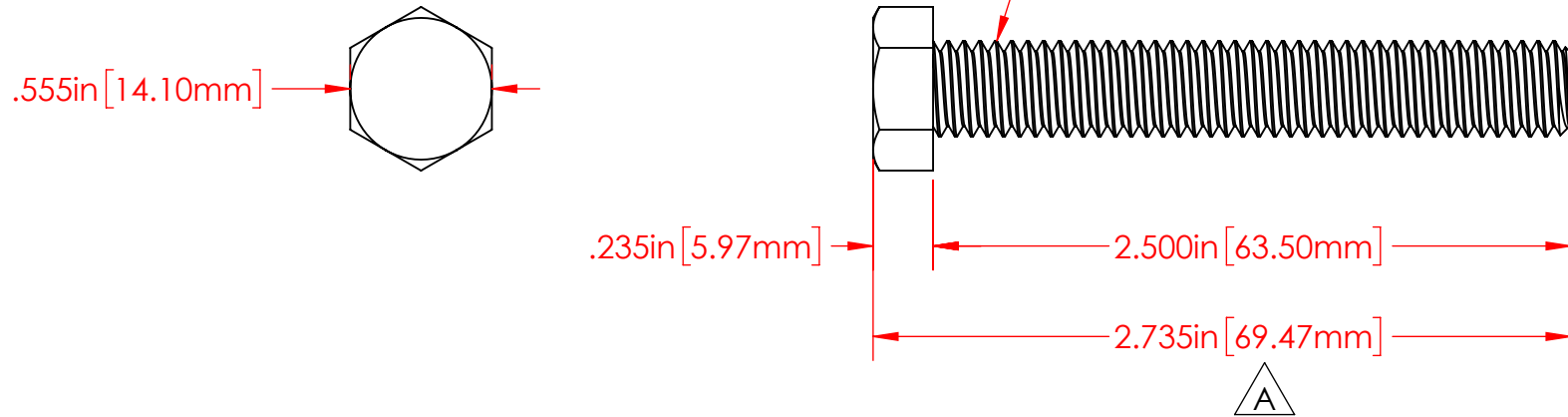


REVISIONS			
REV.	DESCRIPTION	DATE	APPROVED
A	2.735in[69.47mm] was 2.769in[70.34mm]	12/19/2022	RAS
B	Redrawn in Solidworks	12/19/2022	RAS



P/N 3740-008
 3/8"-16 Fully Threaded
 18-8 Stainless Steel Bolt

Part Material :
 18-8 Stainless Steel

ALL DIMENSIONS GIVEN AS : INCH [METRIC]
 TOLERANCES UNLESS OTHERWISE SPECIFIED :
 HARDWARE PRODUCTS : ±.010" / ±0.25mm

PRINTED COPIES ARE NOT CONTROLLED
PROPRIETARY AND CONFIDENTIAL
 THE INFORMATION CONTAINED IN THIS
 DRAWING IS THE SOLE PROPERTY OF
 VTE INCORPORATED. ANY REPRODUCTION
 IN PART OR AS A WHOLE WITHOUT THE WRITTEN
 PERMISSION OF VTE INCORPORATED PROHIBITED.



VTE INCORPORATED

5437 Robinson Road, P.O. Box 790
 Pellston, Michigan 49769 USA
 Telephone : 1-800-527-9256, 231-539-8000
 Fax : 231-539-0914, Efax : 231-344-5914

REV	B	NAME	DATE
		DRAWN BY:	RAS 12-29-22
SIZE	A	CHECKED BY:	
DO NOT SCALE DRAWING			

TITLE:	3/8"-16 x 2.5" Stainless Steel Bolt
DWG. NO.	3740-008