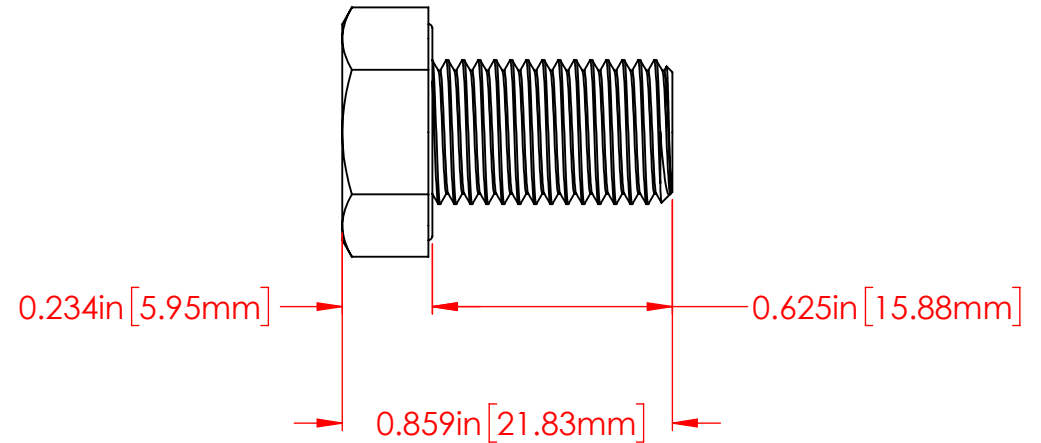
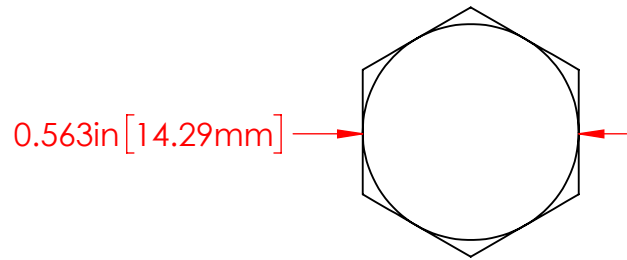


REVISIONS			
REV.	DESCRIPTION	DATE	APPROVED
A	Updated Description and added Washer Face Feature	7/19/2023	RAS



P/N 3740-011  
 3/8"-24 Fully Threaded  
 18-8 Stainless Steel Bolt

Part Material :  
 18-8 Stainless Steel

ALL DIMENSIONS GIVEN AS : INCH [METRIC]  
 TOLERANCES UNLESS OTHERWISE SPECIFIED :  
 HARDWARE PRODUCTS : ±.010" / ±0.25mm

PRINTED COPIES ARE NOT CONTROLLED  
**PROPRIETARY AND CONFIDENTIAL**  
 THE INFORMATION CONTAINED IN THIS  
 DRAWING IS THE SOLE PROPERTY OF  
 VTE INCORPORATED. ANY REPRODUCTION  
 IN PART OR AS A WHOLE WITHOUT THE WRITTEN  
 PERMISSION OF VTE INCORPORATED PROHIBITED.



**VTE INCORPORATED**

5437 Robinson Road, P.O. Box 790  
 Pellston, Michigan 49769 USA  
 Telephone : 1-800-527-9256, 231-539-8000  
 Fax : 231-539-0914, Efax : 231-344-5914

REV	<b>A</b>	NAME	DATE
		DRAWN BY:	RAS 7-17-23
SIZE	<b>A</b>	CHECKED BY:	PJK 7-17-23
DO NOT SCALE DRAWING			

TITLE:	3/8"-24 x .625" Stainless Steel Bolt
DWG. NO.	<b>3740-011</b>