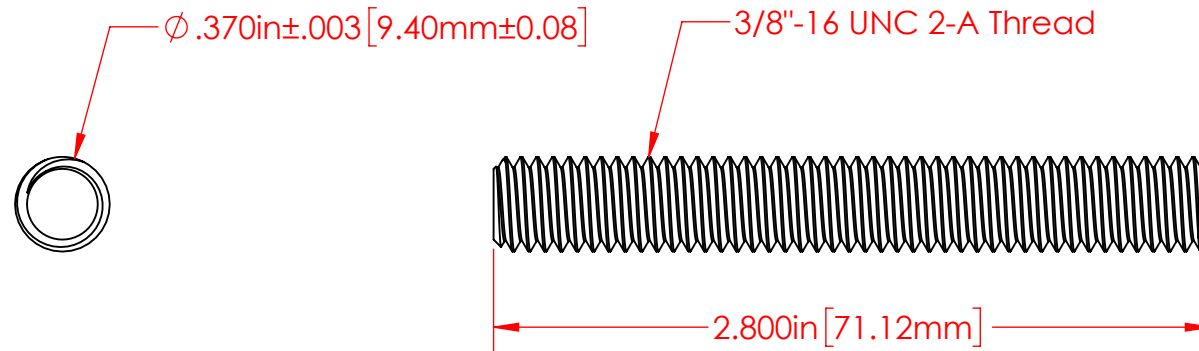
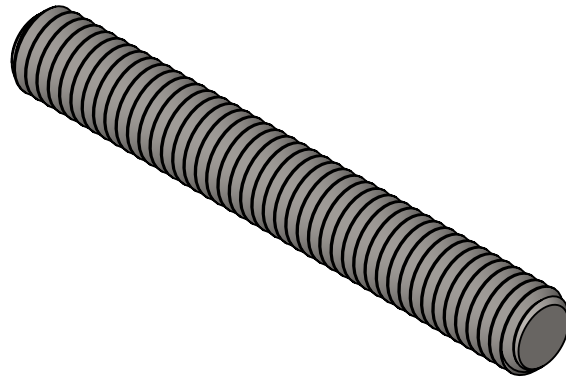


REVISIONS

REV.	DESCRIPTION	DATE	APPROVED
C	Redrawn in Solidworks	12/29/2022	RAS



P/N 3742-012
 3/8"-16 Threaded Stud
 Nickel Plated Mild Steel

Part Material :
 Nickel Plated Mild Steel

ALL DIMENSIONS GIVEN AS : INCH [METRIC]
 TOLERANCES UNLESS OTHERWISE SPECIFIED :
 HARDWARE PRODUCTS : $\pm .010'' / \pm 0.25\text{mm}$

PRINTED COPIES ARE NOT CONTROLLED
PROPRIETARY AND CONFIDENTIAL
 THE INFORMATION CONTAINED IN THIS
 DRAWING IS THE SOLE PROPERTY OF
 VTE INCORPORATED. ANY REPRODUCTION
 IN PART OR AS A WHOLE WITHOUT THE WRITTEN
 PERMISSION OF VTE INCORPORATED PROHIBITED.



VTE INCORPORATED

5437 Robinson Road, P.O. Box 790
 Pellston, Michigan 49769 USA
 Telephone : 1-800-527-9256, 231-539-8000
 Fax : 231-539-0914, Efax : 231-344-5914

REV	C	NAME	DATE
		DRAWN BY:	RAS 12-29-22
SIZE	A	CHECKED BY:	
DO NOT SCALE DRAWING			

TITLE:	3/8"-16 Double Ended Stud
DWG. NO.	3742-012