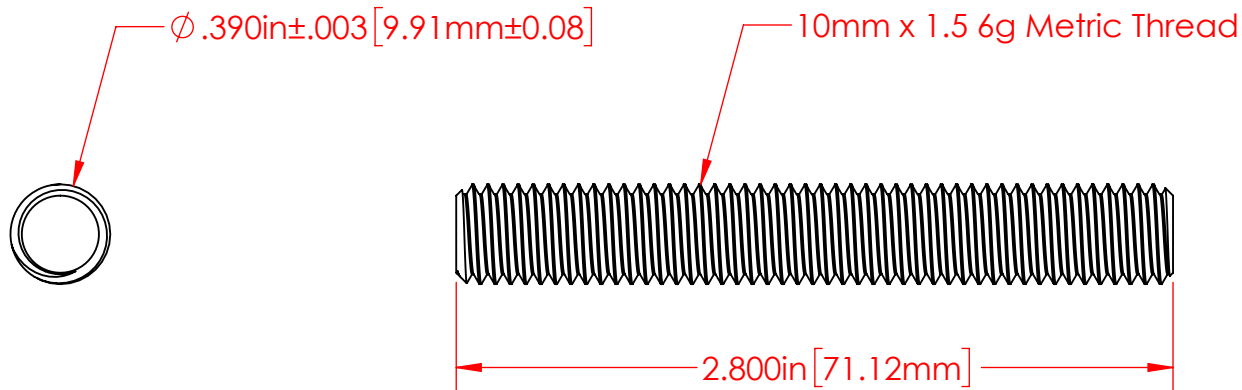
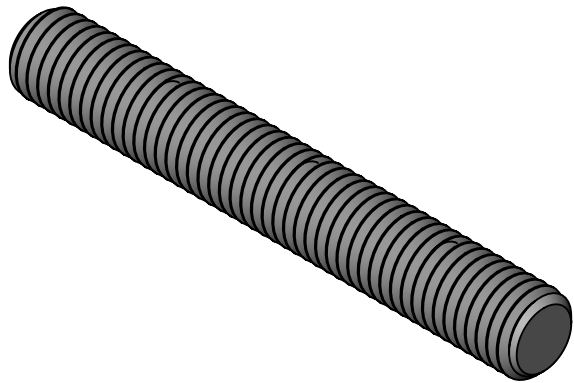


REVISIONS			
REV.	DESCRIPTION	DATE	APPROVED
D	Redrawn in Solidworks	12/30/2022	RAS



P/N 3742-013
M10 x 1.5 Threaded Stud
Nickel Plated Mild Steel

Part Material :
Nickel Plated Mild Steel

ALL DIMENSIONS GIVEN AS : INCH [METRIC]
TOLERANCES UNLESS OTHERWISE SPECIFIED :
HARDWARE PRODUCTS : $\pm .010'' / \pm 0.25mm$

PRINTED COPIES ARE NOT CONTROLLED

PROPRIETARY AND CONFIDENTIAL

THE INFORMATION CONTAINED IN THIS
DRAWING IS THE SOLE PROPERTY OF
VTE INCORPORATED. ANY REPRODUCTION
IN PART OR AS A WHOLE WITHOUT THE WRITTEN
PERMISSION OF VTE INCORPORATED PROHIBITED.



VTE INCORPORATED

5437 Robinson Road, P.O. Box 790
Pellston, Michigan 49769 USA
Telephone : 1-800-527-9256, 231-539-8000
Fax : 231-539-0914, Efax : 231-344-5914

REV	D	NAME	DATE
		DRAWN BY:	RAS 12-30-22
SIZE	A	CHECKED BY:	
DO NOT SCALE DRAWING			

TITLE: M10 x 1.5 Double Ended Stud

DWG. NO. **3742-013**