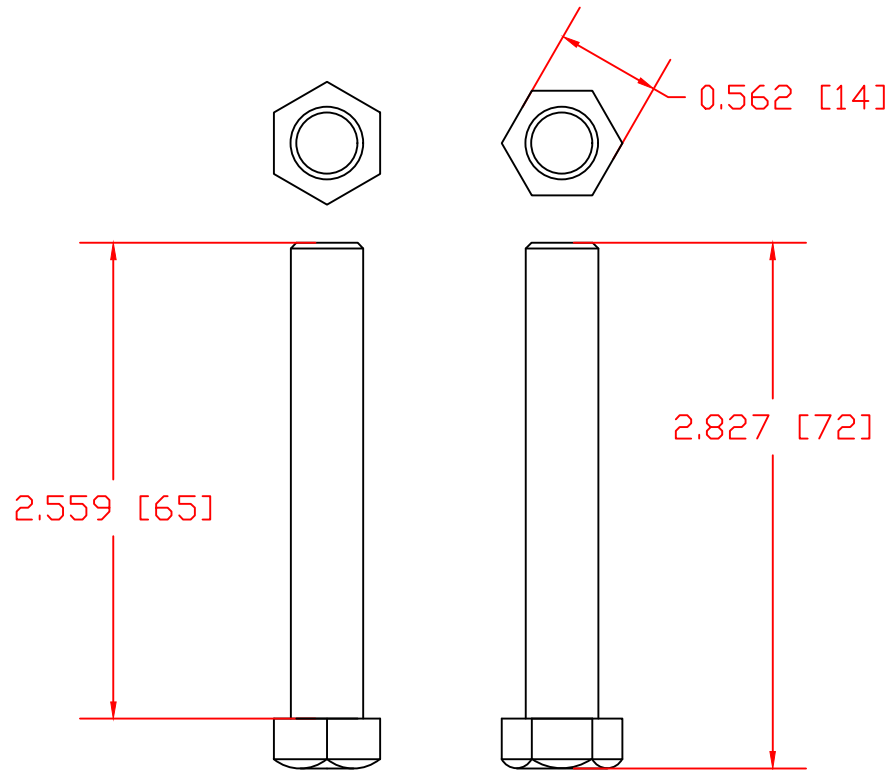


THE INFORMATION CONTAINED IN THIS DRAWING IS THE SOLE PROPERTY OF VTE INCORPORATED. ANY REPRODUCTION IN PART OR WHOLE WITHOUT THE WRITTEN PERMISSION OF VTE INCORPORATED IS PROHIBITED.


LTR.	REVISIONS	DATE	INT.
△	ADDED ALTERNATE CONSTRUCTION NOTE	10JUL07	BRH



ALTERNATE CONSTRUCTION: MAKE FROM P/N 3743-002

TOLERANCE UNLESS OTHERWISE SPECIFIED:
 HARDWARE ITEMS: ±.010"/±0.25mm
 RADIAL DIAMETERS TO BE MEASURED OVER MANDRELS,
 RING GAGES OR PIN GAGES OF SUITABLE SIZE

P/N 3743-003 M10 X 1.5 X 65mm
 FULLY THREADED 18-8 STAINLESS STEEL CAP SCREW
 SPECIAL DESIGN:
 METRIC THREADS WITH ANSI HEX HEAD

		VTE Incorporated 5437 Robinson Road, P.O. Box 790 Pellston, Michigan 49769 Telephone: 1-800-527-9256, 231-539-8000 FAX: 231-539-0914	
		REF:	DATE: 10JUL07
TITLE: M10 X 1.5 X 65 MM SS BOLT, MODIFIED			SCALE:
MATERIAL: STAINLESS STEEL		PART NO. 3743-003	
COLOR:	DRG CLASS REV A		