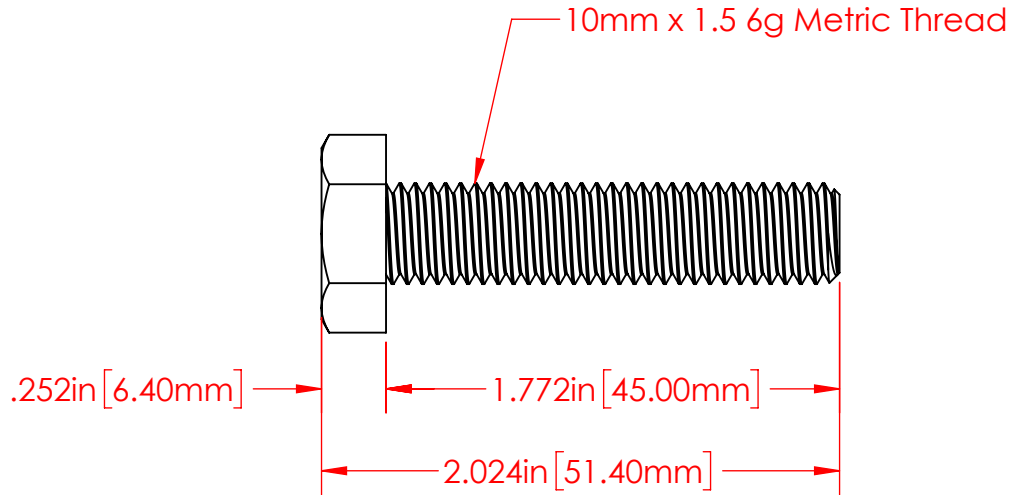
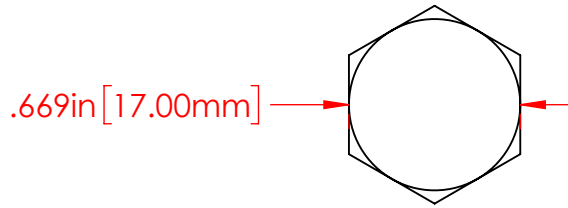
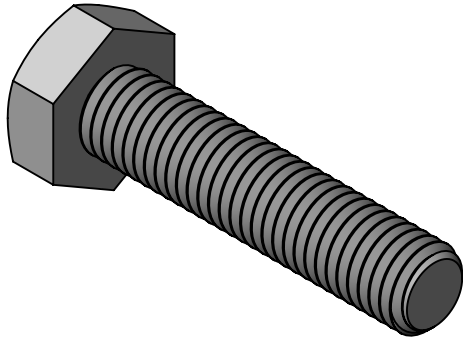


REVISIONS			
REV.	DESCRIPTION	DATE	APPROVED
A	Redrawn in Solidworks	1/4/2023	RAS



P/N 3743-004  
M10 x 1.5 Fully Threaded Bolt  
18-8 Stainless Steel

Part Material :  
18-8 Stainless Steel

ALL DIMENSIONS GIVEN AS : INCH [METRIC]  
TOLERANCES UNLESS OTHERWISE SPECIFIED :  
HARDWARE PRODUCTS : ±.010" / ±0.25mm

PRINTED COPIES ARE NOT CONTROLLED  
**PROPRIETARY AND CONFIDENTIAL**  
THE INFORMATION CONTAINED IN THIS  
DRAWING IS THE SOLE PROPERTY OF  
VTE INCORPORATED. ANY REPRODUCTION  
IN PART OR AS A WHOLE WITHOUT THE WRITTEN  
PERMISSION OF VTE INCORPORATED PROHIBITED.



**VTE INCORPORATED**

5437 Robinson Road, P.O. Box 790  
Pellston, Michigan 49769 USA  
Telephone : 1-800-527-9256, 231-539-8000  
Fax : 231-539-0914, Efax : 231-344-5914

REV	<b>A</b>	NAME	DATE
		DRAWN BY:	RAS 1-4-23
SIZE	<b>A</b>	CHECKED BY:	
DO NOT SCALE DRAWING			

TITLE: M10 x 1.5 x 45mm Stainless Steel Bolt

DWG. NO. **3743-004**