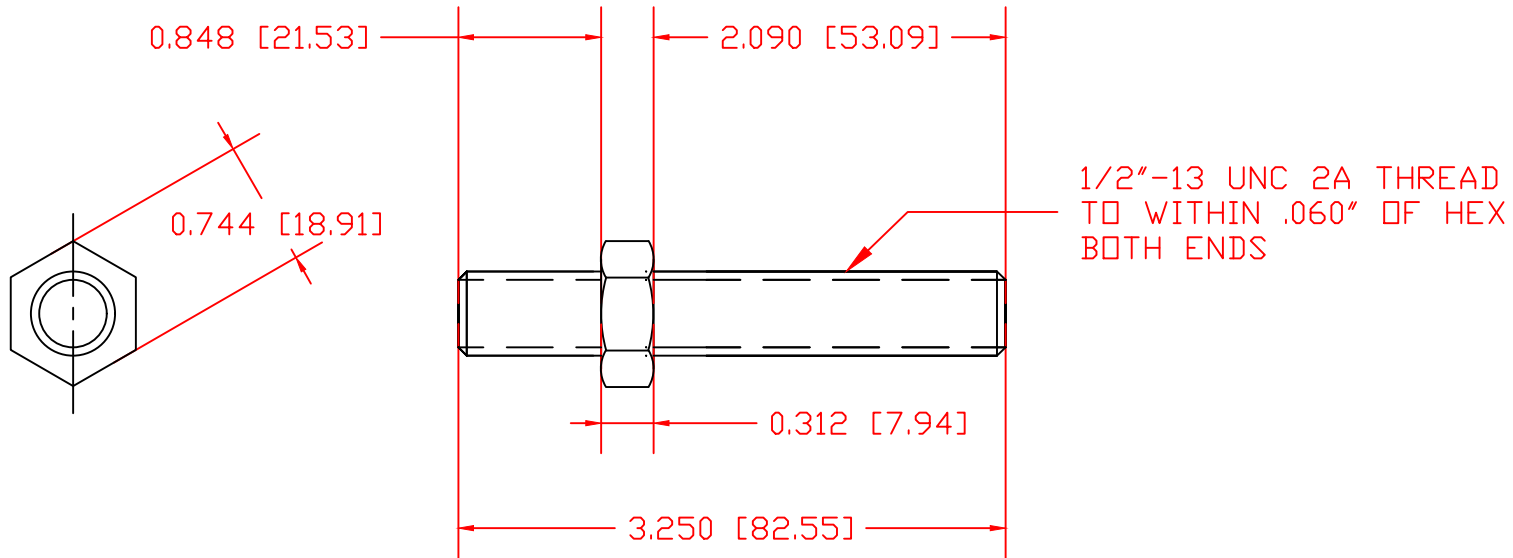



THE INFORMATION CONTAINED IN THIS DRAWING IS THE SOLE PROPERTY OF VTE INCORPORATED. ANY REPRODUCTION IN PART OR WHOLE WITHOUT THE WRITTEN PERMISSION OF VTE INCORPORATED IS PROHIBITED.

LTR.	REVISIONS	DATE	INT.
A	3.25 WAS 3.5, 2.09 WAS 2.34	22JAN03	BRH
B	ADDED -000 SUFFIX	17MAR06	BRH



TOLERANCE UNLESS OTHERWISE SPECIFIED:  
 HARDWARE ITEMS:  $\pm 0.10''/\pm 0.25\text{mm}$   
 RADIAL DIAMETERS TO BE MEASURED OVER MANDRELS,  
 RING GAGES OR PIN GAGES OF SUITABLE SIZE

P/N 3751-000  
 BRASS HEX THREADED STUD  
 BRASS ALLOY 360  
 ROCKWELL HARDNESS B55 MINIMUM  
 TENSILE STRENGTH 55,000 PSI MINIMUM  
 PARTS MUST BE CLEAN AND OIL FREE

		<b>VTE Incorporated</b> 5437 Robinson Road, P.O. Box 790 Pellston, Michigan 49769 Telephone: 1-800-527-9256, 231-539-8000 FAX: 231-539-0914			
		REF:	DATE:	DRN BY:	BRH
	06.JAN03	CHK'D BY:	BRH		
TITLE: BRASS STUD 1/2"-13 UNC				SCALE:	
MATERIAL: BRASS			PART NO.		
COLOR:	DRG CLASS	REV B	3751-000		