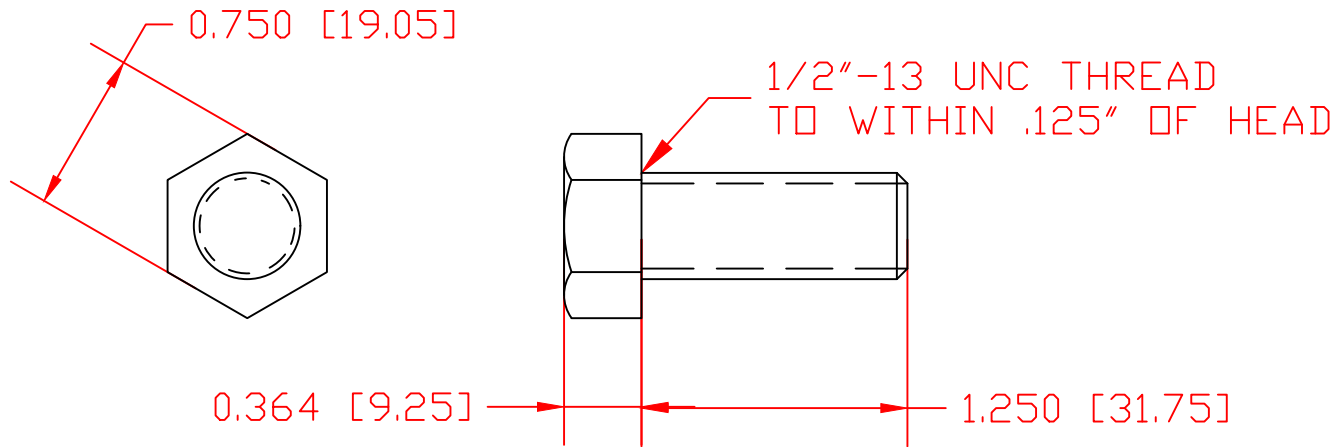


THE INFORMATION CONTAINED IN THIS DRAWING IS THE SOLE PROPERTY OF VTE INCORPORATED. ANY REPRODUCTION IN PART OR WHOLE WITHOUT THE WRITTEN PERMISSION OF VTE INCORPORATED IS PROHIBITED.

LTR.	REVISIONS	DATE	INT.



TOLERANCE UNLESS OTHERWISE SPECIFIED:
 HARDWARE ITEMS: $\pm 0.010'' / \pm 0.25\text{mm}$
 RADIAL DIAMETERS TO BE MEASURED OVER MANDRELS,
 RING GAGES OR PIN GAGES OF SUITABLE SIZE

P/N 3752-001
 1/2"-13 X 1.25" UNC-2A
 18-8 STAINLESS STEEL BOLT



VTE Incorporated
 5437 Robinson Road, P.O. Box 790
 Pellston, Michigan 49769
 Telephone: 1-800-527-9256, 231-539-8000
 FAX: 231-539-0914

REF:	DATE: 20DEC10	DRN BY: BRH CHK'D BY: BRH	WEIGHT:
TITLE: 1/2"-13 STAINLESS BOLT			SCALE:
MATERIAL: STAINLESS STEEL		PART NO. 3752-001	
COLOR:	DRG CLASS		