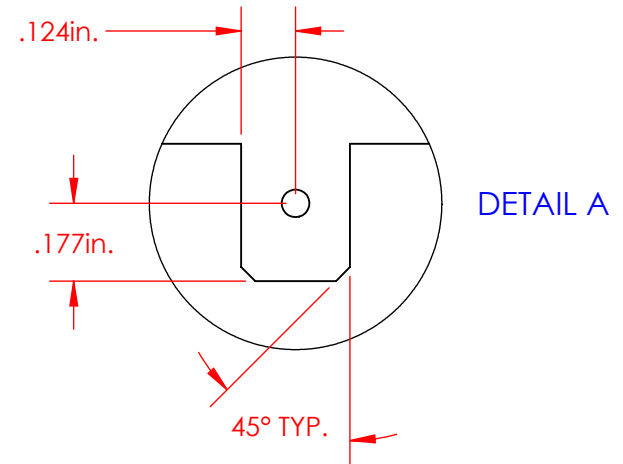
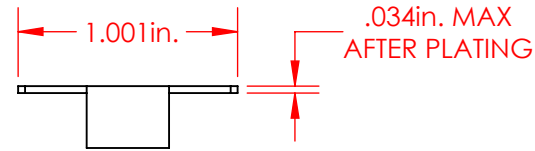
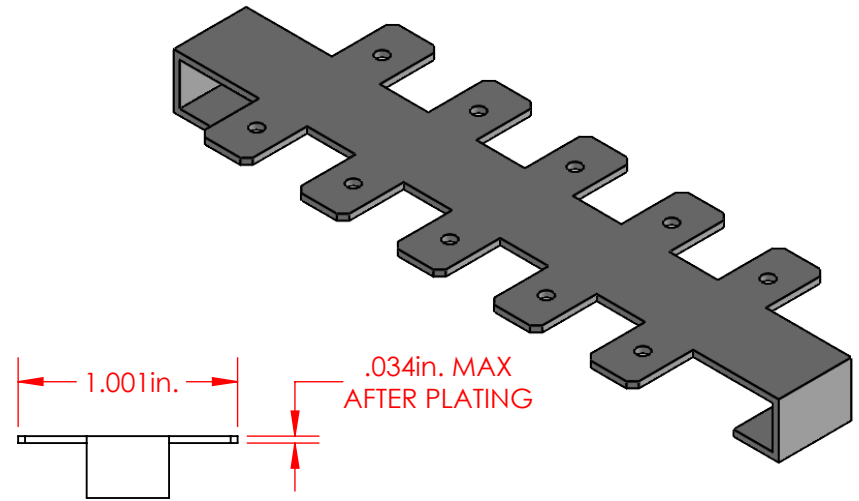
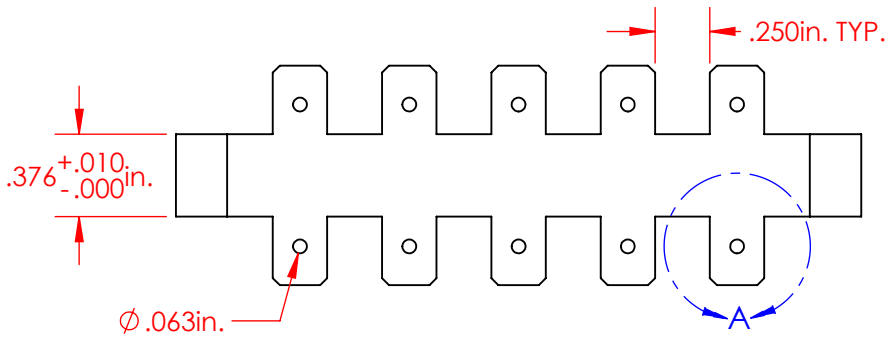
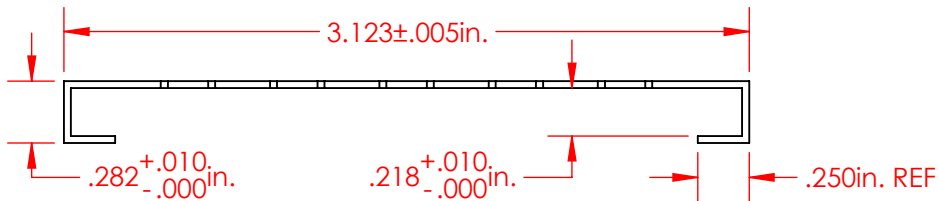
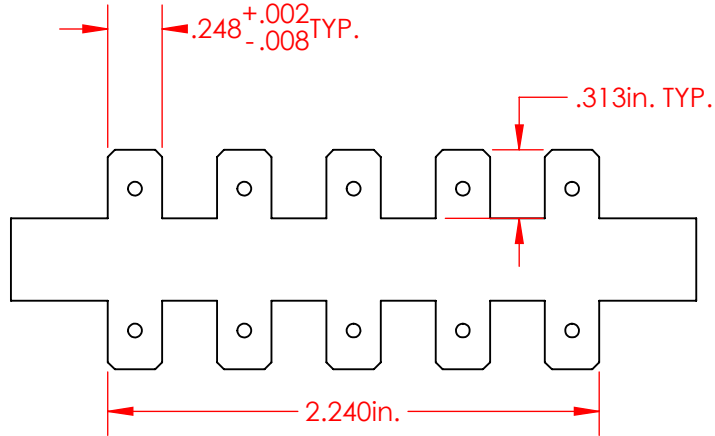


REVISIONS			
REV.	DESCRIPTION	DATE	APPROVED
C	Removed Coining Notes	11/8/2023	RAS
D	Redrawn in Solidworks	11/8/2023	RAS



P/N 3781-010  
Modular Contact Strip 10 Point  
Half-Hard Brass Alloy, Nickel Plated

(Must be Burr-Free)

Part Material :  
Nickel Plated Brass Alloy

ALL DIMENSIONS GIVEN AS : INCH [METRIC]  
TOLERANCES UNLESS OTHERWISE SPECIFIED :  
HARDWARE PRODUCTS : ±.010" / ±0.25mm

PRINTED COPIES ARE NOT CONTROLLED  
**PROPRIETARY AND CONFIDENTIAL**  
THE INFORMATION CONTAINED IN THIS  
DRAWING IS THE SOLE PROPERTY OF  
VTE INCORPORATED. ANY REPRODUCTION  
IN PART OR AS A WHOLE WITHOUT THE WRITTEN  
PERMISSION OF VTE INCORPORATED PROHIBITED.



**VTE INCORPORATED**

5437 Robinson Road, P.O. Box 790  
Pellston, Michigan 49769 USA  
Telephone : 1-800-527-9256, 231-539-8000  
Fax : 231-539-0914, EFax : 231-344-5914

REV	<b>D</b>	NAME	DATE	TITLE:
		DRAWN BY:	RAS	11-8-23
SIZE	<b>A</b>	CHECKED BY:		DWG. NO.
DO NOT SCALE DRAWING				<b>3781-010</b>

Contact Strip, 10 Point Tab

DWG. NO. **3781-010**