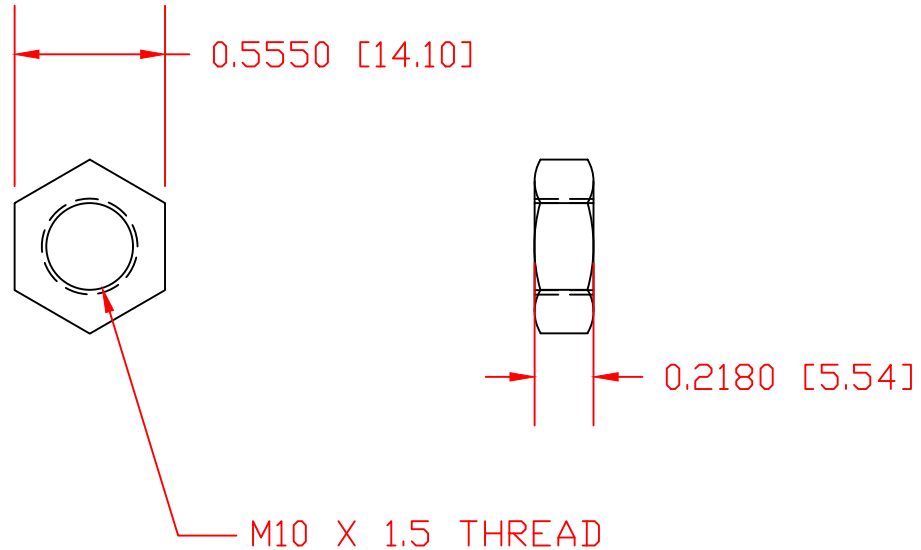



THE INFORMATION CONTAINED IN THIS DRAWING IS THE SOLE PROPERTY OF VTE INCORPORATED. ANY REPRODUCTION IN PART OR WHOLE WITHOUT THE WRITTEN PERMISSION OF VTE INCORPORATED IS PROHIBITED.

LTR.	REVISIONS	DATE	INT.



TOLERANCE UNLESS OTHERWISE SPECIFIED:
 HARDWARE ITEMS: ±.010"/±0.25mm
 RADIAL DIAMETERS TO BE MEASURED OVER MANDRELS,
 RING GAGES OR PIN GAGES OF SUITABLE SIZE

P/N 3838-M
 M10 X 1.5 BRASS JAM NUT
 360 BRASS ALLOY
 ROCKWELL HARDNESS B55 MINIMUM
 TENSILE STRENGTH 55,000 PSI MINIMUM

		VTE Incorporated 5437 Robinson Road, P.O. Box 790 Pellston, Michigan 49769 Telephone: 1-800-527-9256, 231-539-8000 FAX: 231-539-0914				
		REF:	DATE:	DRN BY:	BRH	WEIGHT:
		04AUG03		CHK'D BY:	BRH	
TITLE: M10 X1.5 BRASS JAM NUT					SCALE:	
MATERIAL: BRASS				PART NO.		
COLOR:				DRG CLASS		
					3838-M	