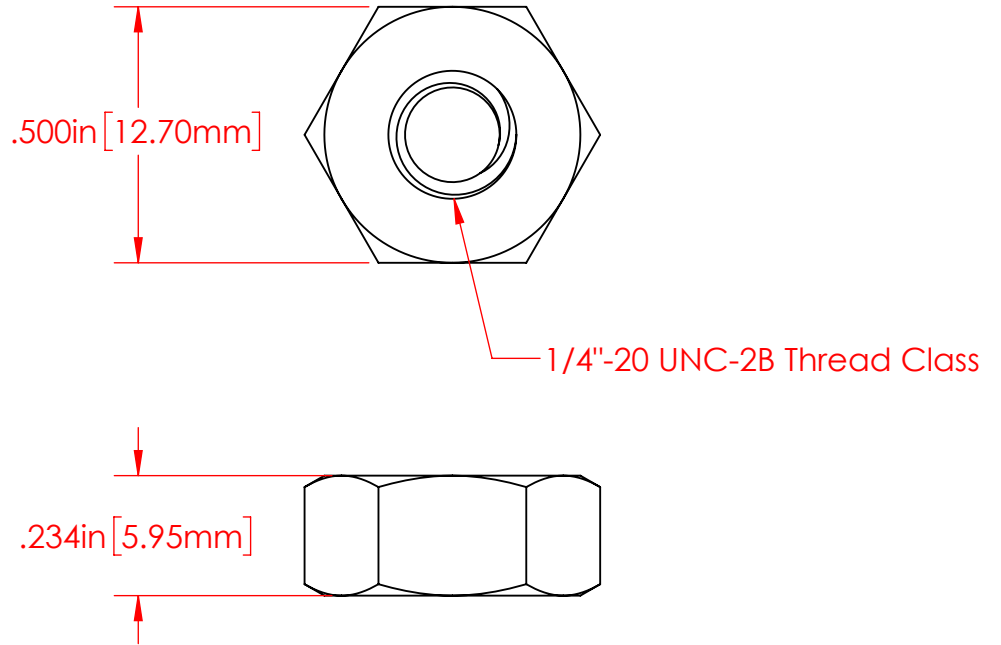
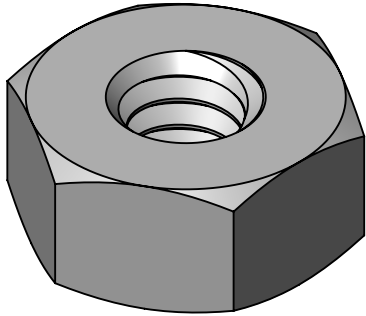


REVISIONS			
REV.	DESCRIPTION	DATE	APPROVED
C	Redrawn in Solidworks	1/11/2023	RAS



P/N 3842-001
 1/4"-20 Heavy Hex Nut
 Tin Plated 360 Brass Alloy

Part Material :
 Tin Plated Brass Alloy

ALL DIMENSIONS GIVEN AS : INCH [METRIC]
 TOLERANCES UNLESS OTHERWISE SPECIFIED :
 HARDWARE PRODUCTS : ±.010" / ±0.25mm

PRINTED COPIES ARE NOT CONTROLLED
PROPRIETARY AND CONFIDENTIAL
 THE INFORMATION CONTAINED IN THIS
 DRAWING IS THE SOLE PROPERTY OF
 VTE INCORPORATED. ANY REPRODUCTION
 IN PART OR AS A WHOLE WITHOUT THE WRITTEN
 PERMISSION OF VTE INCORPORATED PROHIBITED.



VTE INCORPORATED

5437 Robinson Road, P.O. Box 790
 Pellston, Michigan 49769 USA
 Telephone : 1-800-527-9256, 231-539-8000
 Fax : 231-539-0914, Efax : 231-344-5914

REV	C	NAME	DATE
DRAWN BY:		RAS	1-11-23
SIZE	A	CHECKED BY:	
DO NOT SCALE DRAWING			

TITLE:
 1/4"-20 Brass Heavy Hex Contact Nut

DWG. NO. **3842-001**