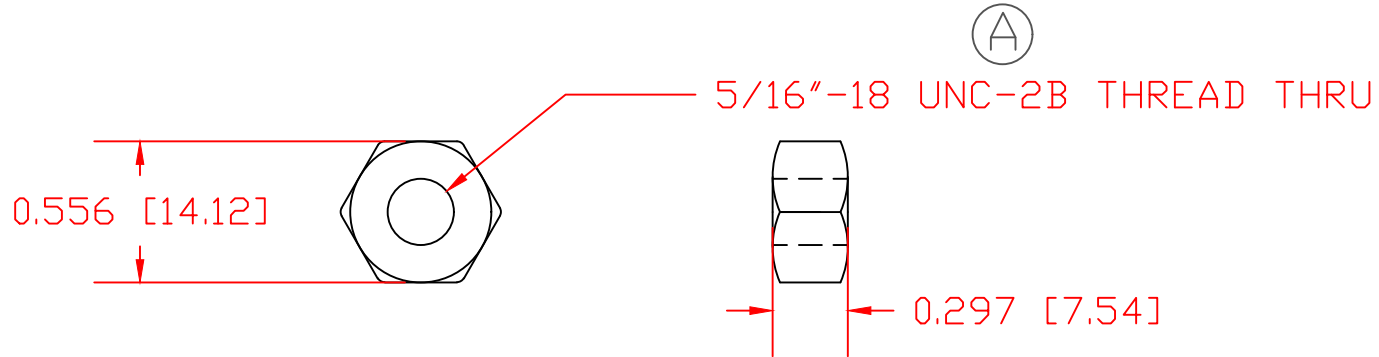



THE INFORMATION CONTAINED IN THIS DRAWING IS THE SOLE PROPERTY OF VTE INCORPORATED. ANY REPRODUCTION IN PART OR WHOLE WITHOUT THE WRITTEN PERMISSION OF VTE INCORPORATED IS PROHIBITED.

LTR.	REVISIONS	DATE	INT.
△	ADDED CLASS OF FIT	06MAR08	BRH



TOLERANCE UNLESS OTHERWISE SPECIFIED:
 HARDWARE ITEMS: ±.010"/±0.25mm
 RADIAL DIAMETERS TO BE MEASURED OVER MANDRELS,
 RING GAGES OR PIN GAGES OF SUITABLE SIZE

P/N 3843-002
 5/16"-18 HEAVY HEX NUT
 18-8 STAINLESS STEEL

		VTE Incorporated 5437 Robinson Road, P.O. Box 790 Pellston, Michigan 49769 Telephone: 1-800-527-9256, 231-539-8000 FAX: 231-539-0914	
		REF:	DATE: 16MAY05
TITLE: HEAVY HEX NUT STAINLESS			SCALE:
MATERIAL: STAINLESS STEEL		PART NO. 3843-002	
COLOR:	DRG CLASS REV A		