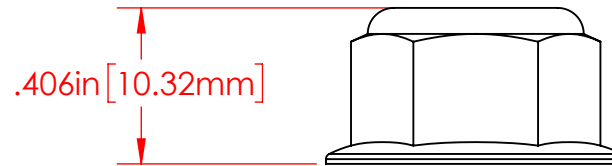
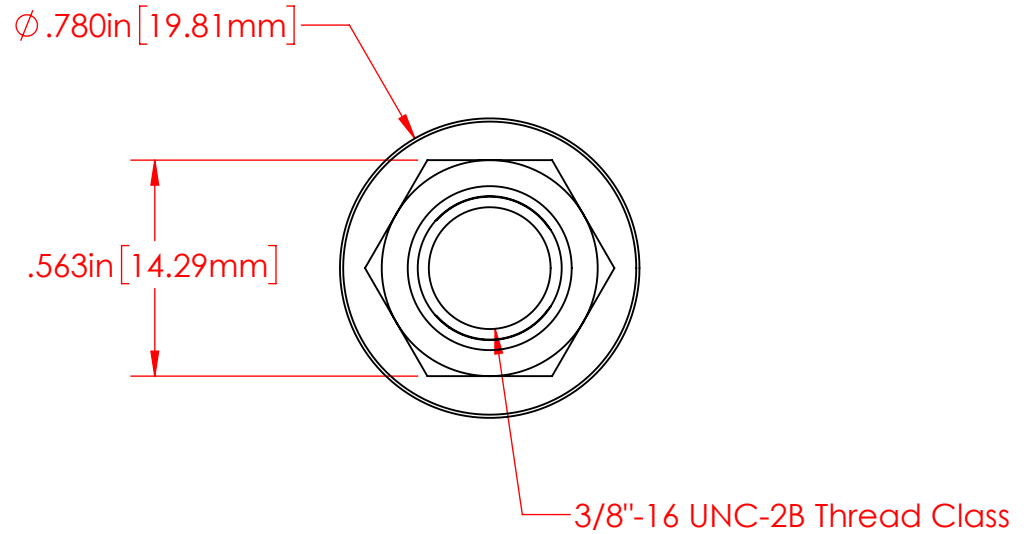
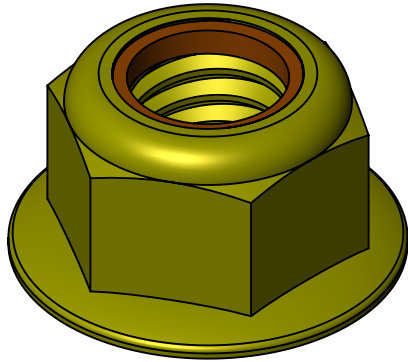


REVISIONS			
REV.	DESCRIPTION	DATE	APPROVED



P/N 3844-011
 3/8"-16 Flanged Lock Nut
 Grade G Steel
 Yellow-Chromate Zinc Plated

Part Material :
 Grade G Steel Zinc Plated

ALL DIMENSIONS GIVEN AS : INCH [METRIC]
 TOLERANCES UNLESS OTHERWISE SPECIFIED :
 HARDWARE PRODUCTS : $\pm .010"$ / $\pm 0.25\text{mm}$

PRINTED COPIES ARE NOT CONTROLLED
PROPRIETARY AND CONFIDENTIAL
 THE INFORMATION CONTAINED IN THIS
 DRAWING IS THE SOLE PROPERTY OF
 VTE INCORPORATED. ANY REPRODUCTION
 IN PART OR AS A WHOLE WITHOUT THE WRITTEN
 PERMISSION OF VTE INCORPORATED PROHIBITED.



VTE INCORPORATED

5437 Robinson Road, P.O. Box 790
 Pellston, Michigan 49769 USA
 Telephone : 1-800-527-9256, 231-539-8000
 Fax : 231-539-0914, Efax : 231-344-5914

REV	NAME	DATE
DRAWN BY:	RAS	1-13-23
CHECKED BY:	PJK	1-13-23
SIZE	DO NOT SCALE DRAWING	
A		

TITLE: 3/8"-16 Flanged Nylon Lock Nut

DWG. NO. **3844-011**