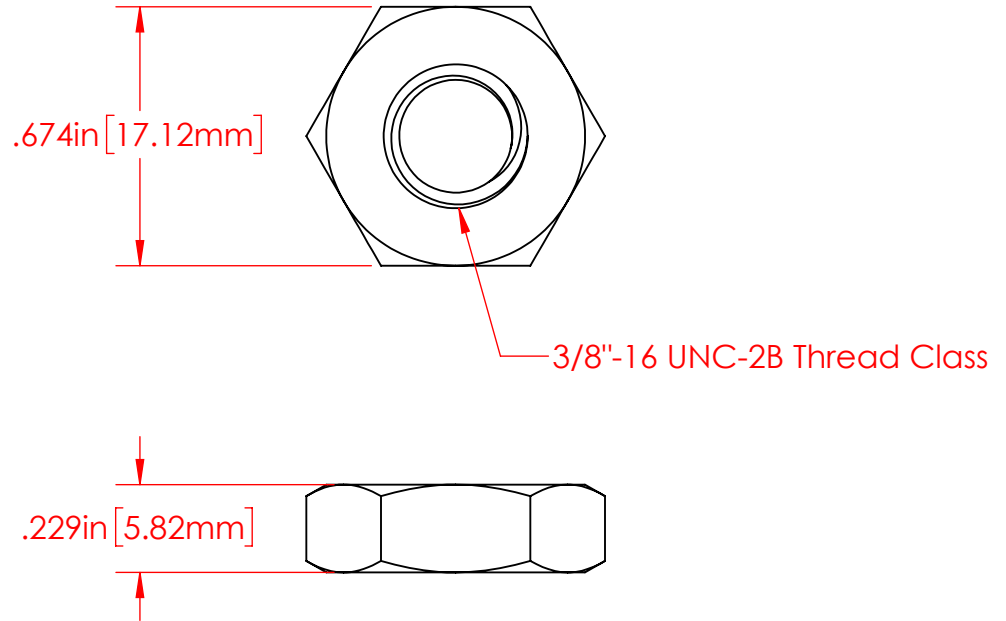
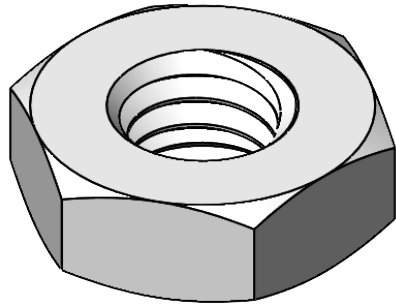


| REVISIONS | | | |
|-----------|-----------------------|---------|----------|
| REV. | DESCRIPTION | DATE | APPROVED |
| B | Redrawn in Solidworks | 1-13-23 | RAS |



P/N 3944-012
 3/8"-16 Heavy Hex Jam Nut
 316 Stainless Steel

Part Material :
 316 Stainless Steel

ALL DIMENSIONS GIVEN AS : INCH [METRIC]
 TOLERANCES UNLESS OTHERWISE SPECIFIED :
 HARDWARE PRODUCTS : ±.010" / ±0.25mm

PRINTED COPIES ARE NOT CONTROLLED
PROPRIETARY AND CONFIDENTIAL
 THE INFORMATION CONTAINED IN THIS
 DRAWING IS THE SOLE PROPERTY OF
 VTE INCORPORATED. ANY REPRODUCTION
 IN PART OR AS A WHOLE WITHOUT THE WRITTEN
 PERMISSION OF VTE INCORPORATED PROHIBITED.



VTE INCORPORATED

5437 Robinson Road, P.O. Box 790
 Pellston, Michigan 49769 USA
 Telephone : 1-800-527-9256, 231-539-8000
 Fax : 231-539-0914, Efax : 231-344-5914

| | | | |
|----------------------|----------|-------------|---------|
| REV | B | NAME | DATE |
| SIZE | A | DRAWN BY: | RAS |
| | | CHECKED BY: | 1-13-23 |
| DO NOT SCALE DRAWING | | | |

TITLE:
 3/8"-16 Stainless Steel Heavy Hex Jam Nut

DWG. NO. **3844-012**