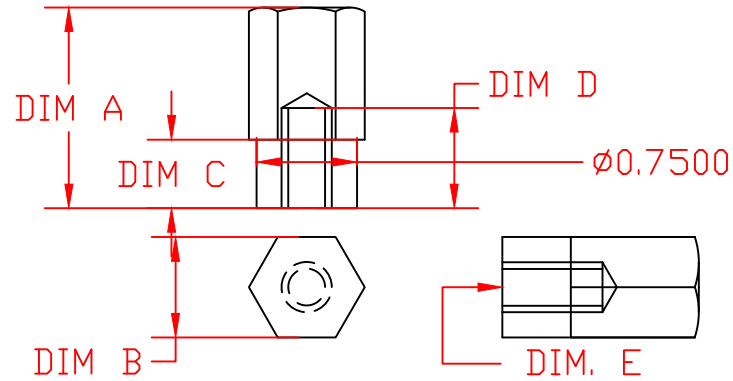


THE INFORMATION CONTAINED IN THIS DRAWING IS THE SOLE PROPERTY OF VTE INCORPORATED. ANY REPRODUCTION IN PART OR WHOLE WITHOUT THE WRITTEN PERMISSION OF VTE INCORPORATED IS PROHIBITED.


LTR.	REVISIONS	DATE	INT.



3860	ITEM #	DIM. A	DIM. B	DIM. C	DIM. D	DIM. E	CUSTOMER
	NO SUFFIX	1.030"	.750"	.862"	.750"	3/8"-16	VTE STANDARD PRODUCT
-001	.663"	.500"	.577"	.440"	3/8"-16	REGAL MARINE	
-002	1.030"	.750"	.862"	.750"	1/2"-13	MARSH ELECTRONICS	
-003	1.500"	.750"	.513"	.750"	M8X1.25	VERMEER MFG.	

TOLERANCE UNLESS OTHERWISE SPECIFIED:
 HARDWARE ITEMS: ±.010"/±0.25mm
 RADIAL DIAMETERS TO BE MEASURED OVER MANDRELS,
 RING GAGES OR PIN GAGES OF SUITABLE SIZE

3860-CHARTED
 EXTENDED NUT
 360 BRASS ALLOY



VTE Incorporated
 5437 Robinson Road, P.O. Box 790
 Pellston, Michigan 49769
 Telephone: 1-800-527-9256, 231-539-8000
 FAX: 231-539-0914

REF:	DATE: 29APR03	DRN BY: BRH CHK'D BY: BRH	WEIGHT:
TITLE: BRASS CAP NUTS CHARTED			SCALE:
MATERIAL: BRASS		PART NO. 3860Vermeer1	
COLOR:	DRG CLASS		