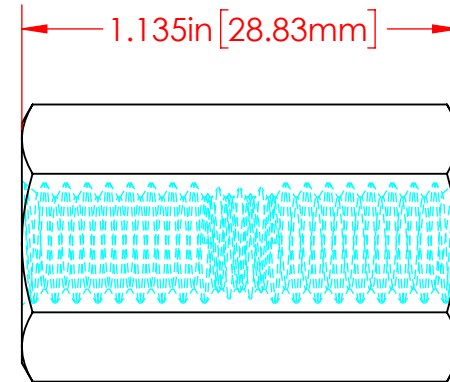
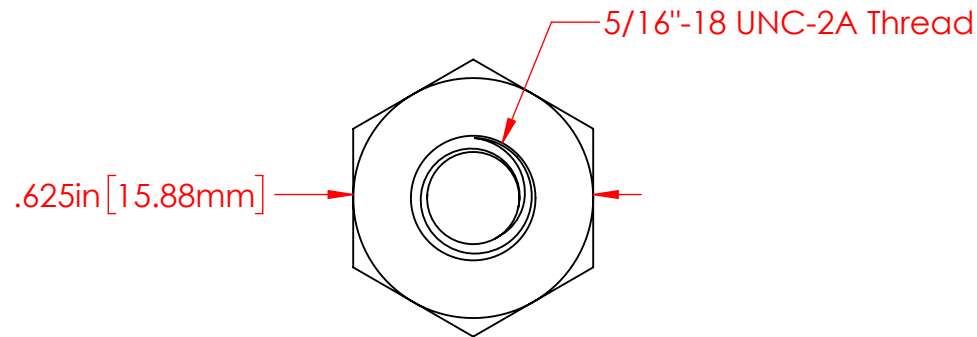


REVISIONS			
REV.	DESCRIPTION	DATE	APPROVED
B	Redrawn in Solidworks	11/22/2023	RAS



P/N 3871-001
 5/16"-18 Threaded Zinc Plated
 Mild Steel Hex Standoff

Optional Construction :
 Copper/Nickel Plated

Part Material :
 Zinc Plated Mild Steel

ALL DIMENSIONS GIVEN AS : INCH [METRIC]
 TOLERANCES UNLESS OTHERWISE SPECIFIED :
 HARDWARE PRODUCTS : ±.010" / ±0.25mm

PRINTED COPIES ARE NOT CONTROLLED
PROPRIETARY AND CONFIDENTIAL
 THE INFORMATION CONTAINED IN THIS
 DRAWING IS THE SOLE PROPERTY OF
 VTE INCORPORATED. ANY REPRODUCTION
 IN PART OR AS A WHOLE WITHOUT THE WRITTEN
 PERMISSION OF VTE INCORPORATED PROHIBITED.



VTE INCORPORATED

5437 Robinson Road, P.O. Box 790
 Pellston, Michigan 49769 USA
 Telephone : 1-800-527-9256, 231-539-8000
 Fax : 231-539-0914, Efax : 231-344-5914

REV	B	NAME	DATE
		DRAWN BY:	RAS 11-22-23
SIZE	A	CHECKED BY:	
DO NOT SCALE DRAWING			

TITLE:	5/16"-18 Steel Hex Standoff
DWG. NO.	3871-001