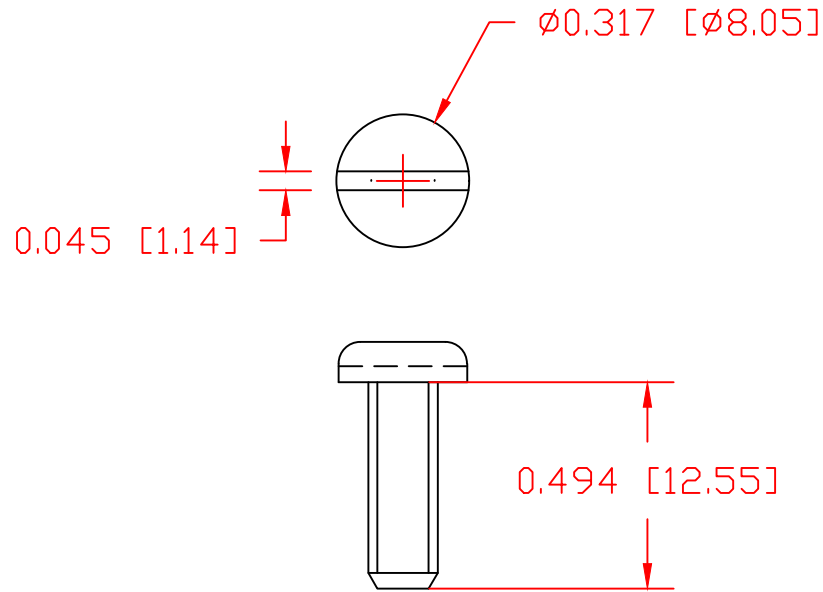



THE INFORMATION CONTAINED IN THIS DRAWING IS THE SOLE PROPERTY OF VTE INCORPORATED. ANY REPRODUCTION IN PART OR WHOLE WITHOUT THE WRITTEN PERMISSION OF VTE INCORPORATED IS PROHIBITED.

LTR.	REVISIONS	DATE	INT.
△	ADDED COMBO HEAD NOTE	05FEB08	BRH



#8-32 X 1/2" PAN HEAD
 THREAD FORMING SCREW
 MILD STEEL ZINC PLATED
 (COMBO HEAD ACCEPTABLE) (A)

TOLERANCE UNLESS OTHERWISE SPECIFIED:
 HARDWARE ITEMS: $\pm 0.010"/\pm 0.25\text{mm}$
 RADIAL DIAMETERS TO BE MEASURED OVER MANDRELS,
 RING GAGES OR PIN GAGES OF SUITABLE SIZE

		VTE Incorporated 5437 Robinson Road, P.O. Box 790 Pellston, Michigan 49769 Telephone: 1-800-527-9256, 231-539-8000 FAX: 231-539-0914	
		REF:	DATE: 05APR07
TITLE: #8-32 THREAD FORMING PAN HEAD SCREW			SCALE:
MATERIAL: ZINC PLATED MILD STEEL		PART NO. 3872-001	
COLOR:	DRG CLASS REV A		