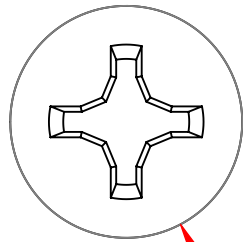
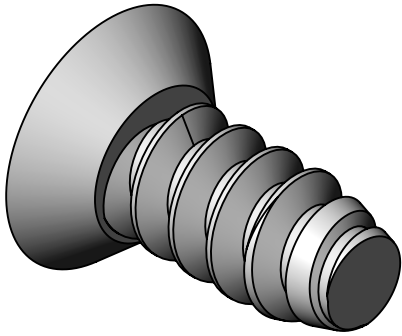
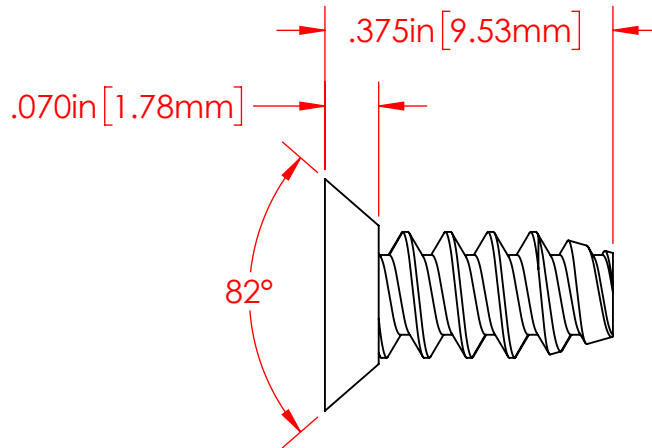


REVISIONS			
REV.	DESCRIPTION	DATE	APPROVED
E	Redrawn in Solidworks	11/22/2023	RAS



ϕ .302in [7.67mm]



P/N 3874-000
Stainless Steel
#8-18 x 3/8" Flat Head
Uniform Thread Screw

Part Material :
304 Stainless Steel

ALL DIMENSIONS GIVEN AS : INCH [METRIC]
TOLERANCES UNLESS OTHERWISE SPECIFIED :
HARDWARE PRODUCTS : $\pm .010"$ / $\pm 0.25\text{mm}$

PRINTED COPIES ARE NOT CONTROLLED

PROPRIETARY AND CONFIDENTIAL

THE INFORMATION CONTAINED IN THIS
DRAWING IS THE SOLE PROPERTY OF
VTE INCORPORATED. ANY REPRODUCTION
IN PART OR AS A WHOLE WITHOUT THE WRITTEN
PERMISSION OF VTE INCORPORATED PROHIBITED.



VTE INCORPORATED

5437 Robinson Road, P.O. Box 790
Pellston, Michigan 49769 USA
Telephone : 1-800-527-9256, 231-539-8000
Fax : 231-539-0914, Efax : 231-344-5914

REV	E	NAME	DATE
		DRAWN BY:	RAS 11-22-23
SIZE	A	CHECKED BY:	
DO NOT SCALE DRAWING			

TITLE:
#8-18 x 3/8" Stainless Steel Screw

DWG. NO. **3874-000**