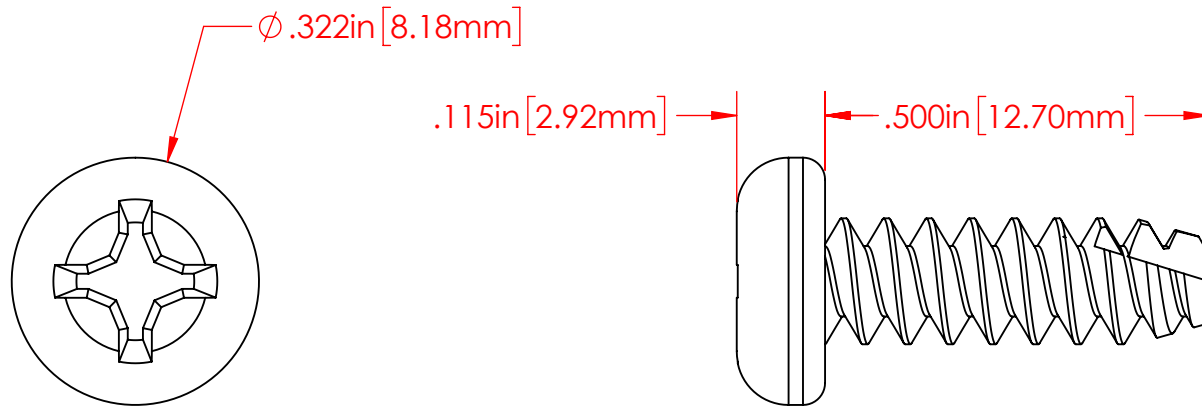
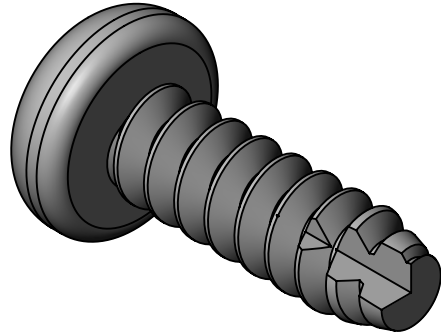


REVISIONS			
REV.	DESCRIPTION	DATE	APPROVED



P/N 3880-001
Zinc Plated Mild Steel
#8-18 Threaded Button
Head Cap Screw

Part Material :
Zinc Plated Mild Steel

ALL DIMENSIONS GIVEN AS : INCH [METRIC]
TOLERANCES UNLESS OTHERWISE SPECIFIED :
HARDWARE PRODUCTS : ±.010" / ±0.25mm

PRINTED COPIES ARE NOT CONTROLLED

PROPRIETARY AND CONFIDENTIAL

THE INFORMATION CONTAINED IN THIS
DRAWING IS THE SOLE PROPERTY OF
VTE INCORPORATED. ANY REPRODUCTION
IN PART OR AS A WHOLE WITHOUT THE WRITTEN
PERMISSION OF VTE INCORPORATED PROHIBITED.



VTE INCORPORATED

5437 Robinson Road, P.O. Box 790
Pellston, Michigan 49769 USA
Telephone : 1-800-527-9256, 231-539-8000
Fax : 231-539-0914, Efax : 231-344-5914

REV	NAME	DATE
DRAWN BY:	RAS	11-22-23
SIZE	CHECKED BY:	
A	DO NOT SCALE DRAWING	

TITLE: #8 x 1/2" Zinc Plated Steel Screw

DWG. NO. **3880-001**