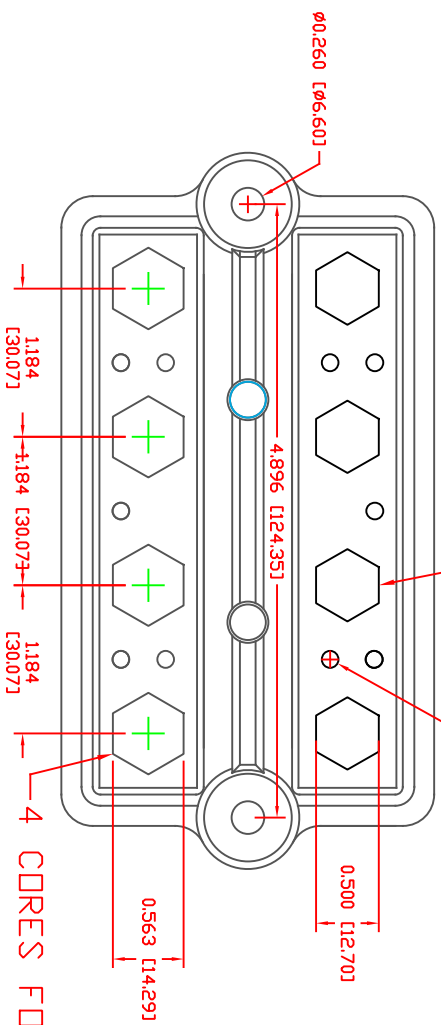
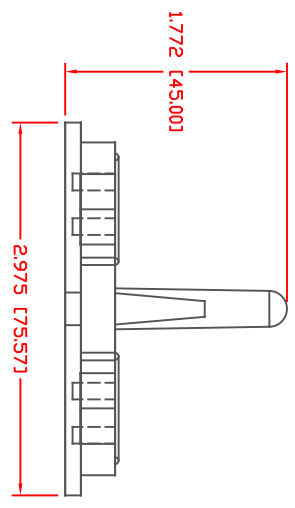
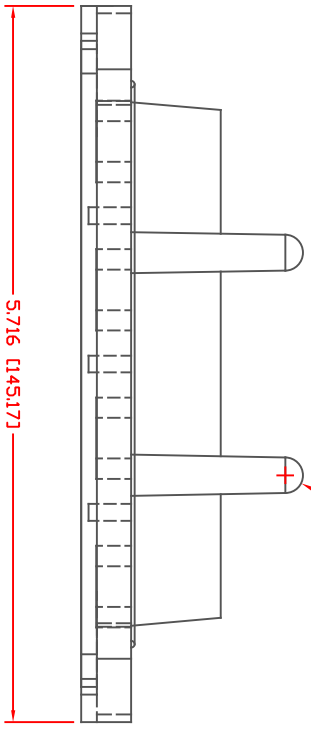


THE INFORMATION CONTAINED IN THIS DRAWING IS THE SOLE PROPERTY OF VTE INCORPORATED. ANY REPRODUCTION IN PART OR WHOLE WITHOUT THE WRITTEN PERMISSION OF VTE INCORPORATED IS PROHIBITED. VTE MAKES NO WARRANTY, EXPRESSED OR IMPLIED, AS TO THE SUITABILITY OF A PRODUCT FOR ANY INTENDED USE. THE CUSTOMER SHALL BEAR THE SOLE RESPONSIBILITY OF DETERMINING THE SUITABILITY OF ANY VTE PRODUCT FOR ITS END USE.

4 CORES FOR 5/16" BOLT HEADS



4 CORES FOR 3/8" BOLT HEADS

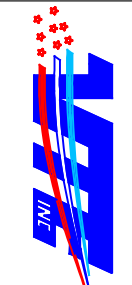


MATERIAL PART NO:
MATERIAL:
VENDOR PART NO:
SPECIFIC GRAVITY:
MELTING TEMP:
UL. RATING:

111210514UL
GLASS FILLED NYLON
HYLON N2015 HL BK
1.23
515 F [268 C]
UL 94 HB

LR.	REVISIONS	DATE	INT.
A	ADDED FULL RADIUS TO COVER RETAINER POSTS	01-10-07	BRH
B	REVISED MATERIAL INFORMATION	07-17-18	RAS
C	UPDATED MOUNTING DIMENSION	9-24-21	RAS

SCALE FACTOR : NONE
ALL DIMENSIONS GIVEN AS: In [mm]
TOLERANCES UNLESS OTHERWISE SPECIFIED :
MOLDED PARTS: $\pm 0.30^{\circ}$ [$\pm 0.8mm$]
HARDWARE ITEMS: $\pm 0.10^{\circ}$ [$\pm 0.25mm$]



VTE Incorporated
5437 Robinson Road, P.O. Box 790
Pellston, Michigan 49769
Telephone: 1-800-527-9256, 231-539-8000
FAX: 231-539-0914

DD NOT SCALE

REF:	DATE:	DRN BY:	BRH	WEIGHT:
CUSTOMER DIMS	31AUG06	CHK'D BY:	BRH	49 G. / .108 LBS.
TITLE:	3/8" AND 5/16" DUAL 4 POST BUS			
MATERIAL:	GLASS FILLED NYLON	PART NO:	38834N14	
COLOR:	BLACK	DRG CLASS:	REV C	