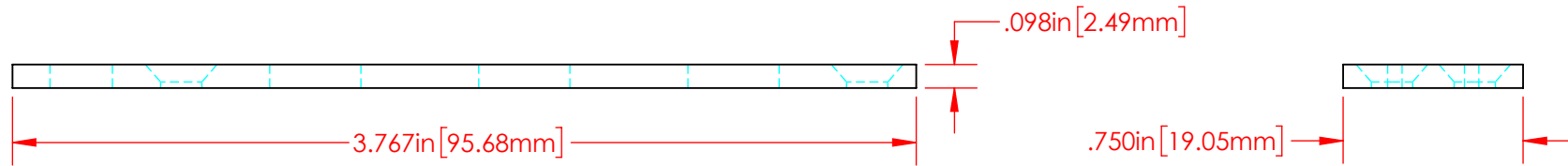
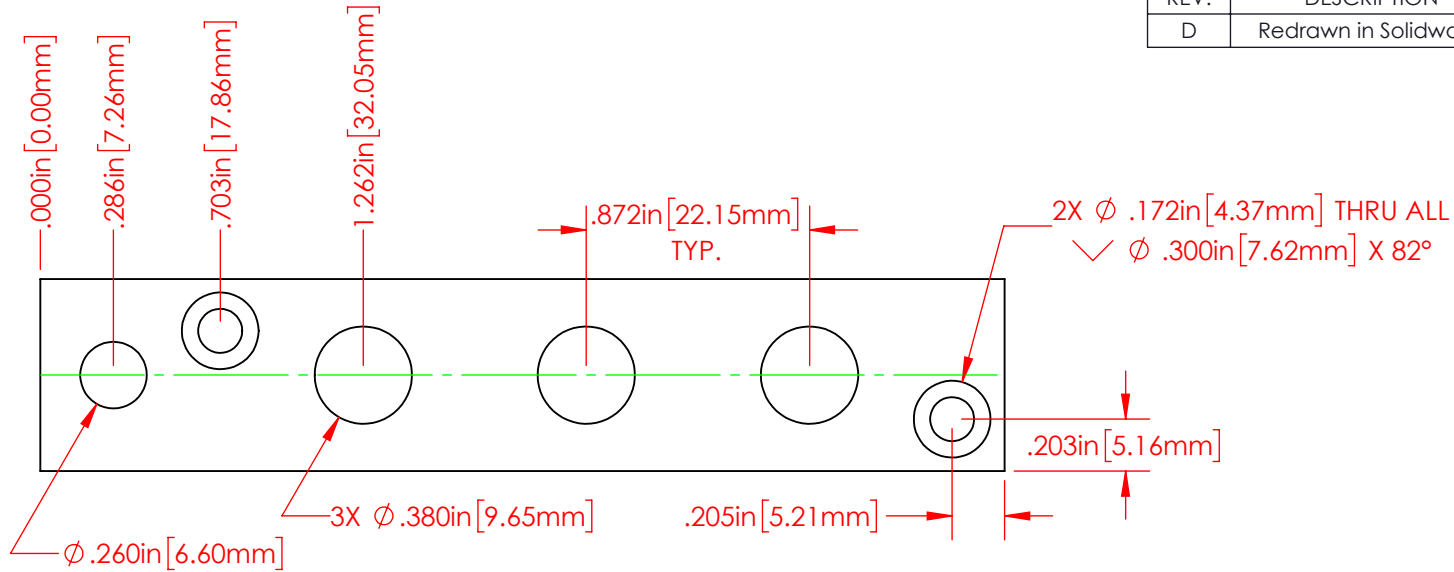


REVISIONS			
REV.	DESCRIPTION	DATE	APPROVED
D	Redrawn in Solidworks	12/13/2023	RAS



P/N 3884-000
 Nickel Plated 360 Brass Alloy
 3 Point Bus Bar Plate

Part Material :
 Nickel Plated Brass Alloy

ALL DIMENSIONS GIVEN AS : INCH [METRIC]
 TOLERANCES UNLESS OTHERWISE SPECIFIED :
 HARDWARE PRODUCTS : ±.010" / ±0.25mm

PRINTED COPIES ARE NOT CONTROLLED
PROPRIETARY AND CONFIDENTIAL
 THE INFORMATION CONTAINED IN THIS
 DRAWING IS THE SOLE PROPERTY OF
 VTE INCORPORATED. ANY REPRODUCTION
 IN PART OR AS A WHOLE WITHOUT THE WRITTEN
 PERMISSION OF VTE INCORPORATED PROHIBITED.



VTE INCORPORATED

5437 Robinson Road, P.O. Box 790
 Pellston, Michigan 49769 USA
 Telephone : 1-800-527-9256, 231-539-8000
 Fax : 231-539-0914, EFax : 231-344-5914

REV	D	NAME	DATE
		DRAWN BY:	RAS 12-13-23
SIZE	A	CHECKED BY:	
DO NOT SCALE DRAWING			

TITLE:	3/8" 4 Point Bus Bar Plate
DWG. NO.	3884-000