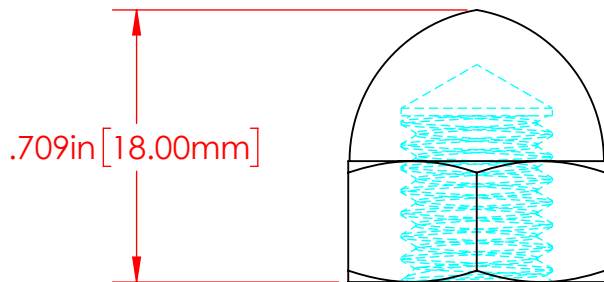
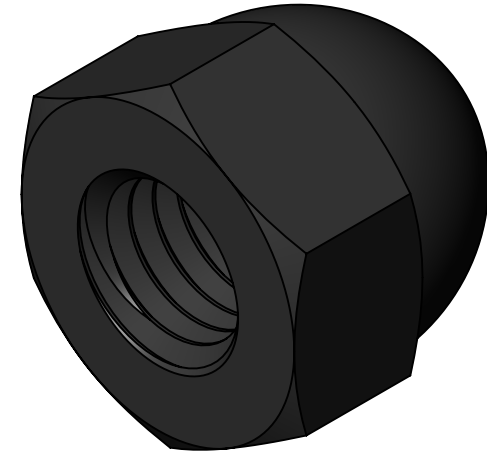
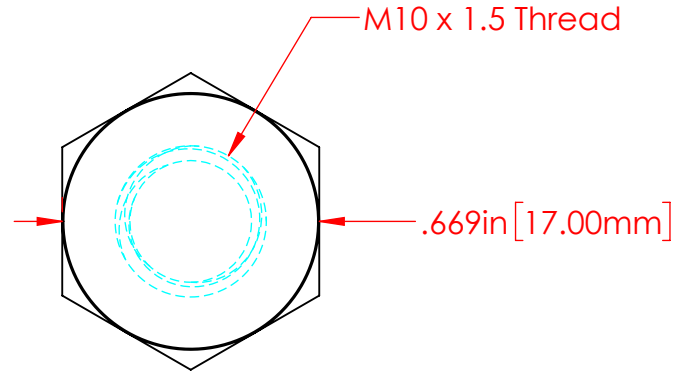


| REVISIONS | | | |
|-----------|-----------------------|-----------|----------|
| REV. | DESCRIPTION | DATE | APPROVED |
| B | Redrawn in Solidworks | 12/5/2023 | RAS |



P/N 4001-003
M10 x 1.5 Threaded
6/6 Black Nylon Acorn Nut

Part Material :
Black Nylon

ALL DIMENSIONS GIVEN AS : INCH [METRIC]
TOLERANCES UNLESS OTHERWISE SPECIFIED :
HARDWARE PRODUCTS : ±.010" / ±0.25mm

PRINTED COPIES ARE NOT CONTROLLED
PROPRIETARY AND CONFIDENTIAL
THE INFORMATION CONTAINED IN THIS
DRAWING IS THE SOLE PROPERTY OF
VTE INCORPORATED. ANY REPRODUCTION
IN PART OR AS A WHOLE WITHOUT THE WRITTEN
PERMISSION OF VTE INCORPORATED PROHIBITED.



VTE INCORPORATED

5437 Robinson Road, P.O. Box 790
Pellston, Michigan 49769 USA
Telephone : 1-800-527-9256, 231-539-8000
Fax : 231-539-0914, Efax : 231-344-5914

| | | | |
|----------------------|----------|-------------|---------|
| REV | B | NAME | DATE |
| DRAWN BY: | | RAS | 12-5-23 |
| SIZE | A | CHECKED BY: | |
| DO NOT SCALE DRAWING | | | |

| | |
|----------|---------------------------------|
| TITLE: | M10 x 1.5 Black Nylon Acorn Nut |
| DWG. NO. | 4001-003 |