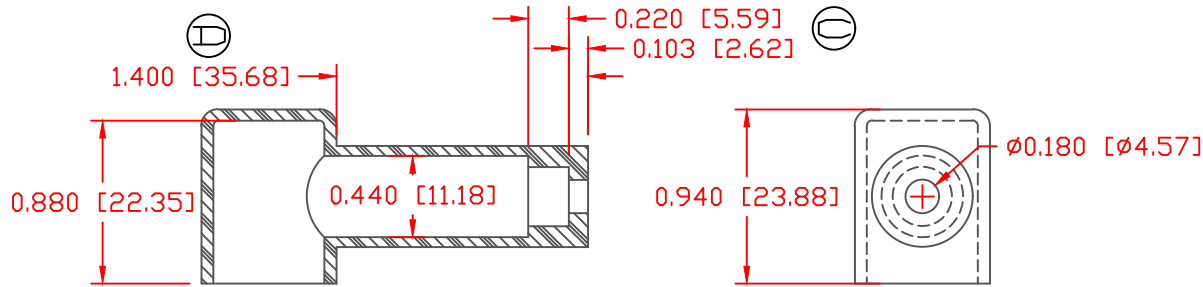
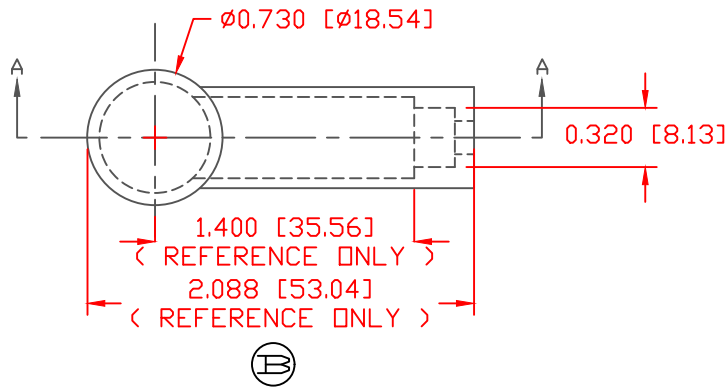


THE INFORMATION CONTAINED IN THIS DRAWING IS THE SOLE PROPERTY OF VTE INCORPORATED. ANY REPRODUCTION IN PART OR WHOLE WITHOUT THE WRITTEN PERMISSION OF VTE INCORPORATED IS PROHIBITED. VTE MAKES NO WARRANTY, EXPRESSED OR IMPLIED, AS TO THE SUITABILITY OF A PRODUCT FOR ANY INTENDED USE. THE CUSTOMER SHALL BEAR THE SOLE RESPONSIBILITY OF DETERMINING THE SUITABILITY OF ANY VTE PRODUCT FOR ITS END USE.

LTR.	REVISIONS	DATE	INT.
A	REVISED MATERIAL TO AGREE WITH PART AS MANUFACTURED	7-20-09	BRH
B	REVISED LENGTH DIMENSIONS TO (REFERENCE ONLY)	1-10-18	RAS
C	ADDED INTERNAL LENGTH DIMENSIONS	1-10-18	RAS
D	REVISED LENGTH DIMENSION FROM 1.358 [34.49]	1-10-18	RAS




SECTION A-A
TYP. WALL THICKNESS = .060" [1.5]



SCALE FACTOR : NONE
ALL DIMENSIONS GIVEN AS: in [mm]
TOLERANCES UNLESS OTHERWISE SPECIFIED :
MOLDED PARTS: ± 0.030 " [± 0.8 mm]
ALL ANGLES ARE ± 1 DEGREE

MATERIAL PART NO:	1101700102
MATERIAL:	PVC
VENDOR PART NO:	7843-70-RED 6288
SHORE DUROMETER:	"A" 10 SEC. 70
SPECIFIC GRAVITY:	1.34
ULT. ELONGATION %:	350
MELTING TEMP:	320-340 F [160-171 C]
BRITTLE TEMP:	-22 F [-30 C]
Tensile Strength PSI:	1550 PSI
Dielectric Strength, v./mil:	553
U.L. Rating:	V0

DO NOT SCALE

		VTE Incorporated	
		5437 Robinson Road, P.O. Box 790 Pellston, Michigan 49769 Telephone: 1-800-527-9256, 231-539-8000 FAX: 231-539-0914	
REF:	DATE:	DRN BY: JC	WEIGHT:
CUSTOMER DIMS	03-26-98	CHK'D BY: JC	.015 LBS [6.98 g]
TITLE:		STARTER BOOT	
MATERIAL:	PVC	PART NO.	
COLOR: RED	DRG CLASS REV D	400E4F02	