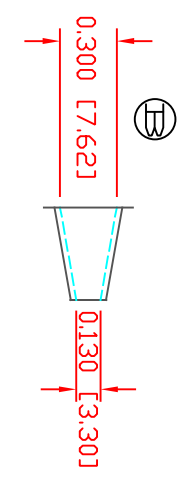
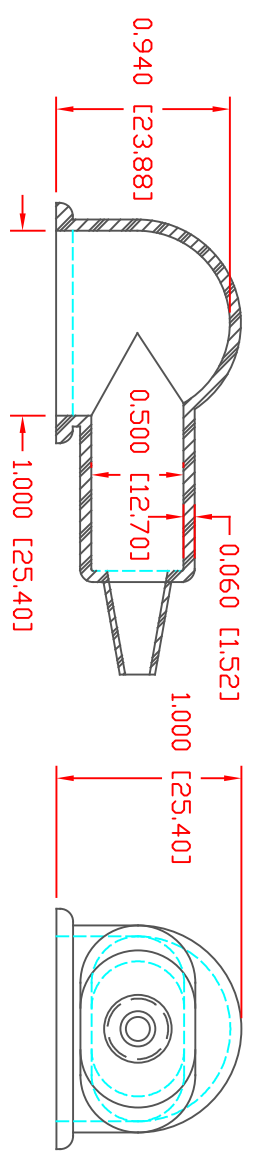
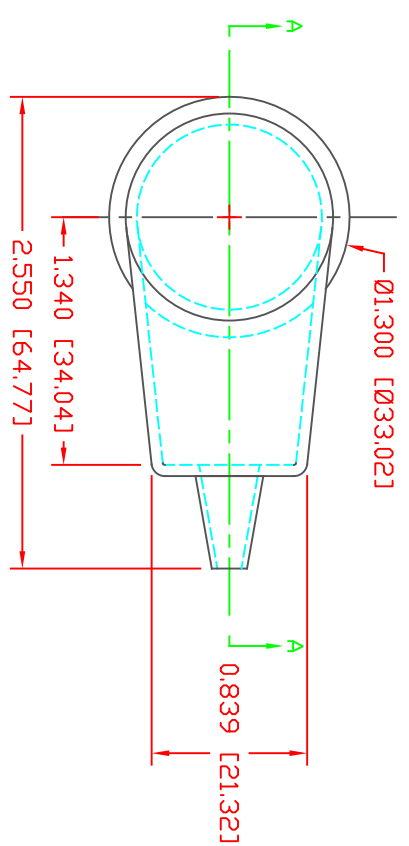


THE INFORMATION CONTAINED IN THIS DRAWING IS THE SOLE PROPERTY OF VTE INCORPORATED. ANY REPRODUCTION IN PART OR WHOLE WITHOUT THE WRITTEN PERMISSION OF VTE INCORPORATED IS PROHIBITED. VTE MAKES NO WARRANTY, EXPRESSED OR IMPLIED, AS TO THE SUITABILITY OF A PRODUCT FOR ANY INTENDED USE. THE CUSTOMER SHALL BEAR THE SOLE RESPONSIBILITY OF DETERMINING THE SUITABILITY OF ANY VTE PRODUCT FOR ITS END USE.



SECTION A-A
TYP. WALL THICKNESS = .060" [1.5]

SEAL THICKNESS = .030" [.8]
SEAL TOLERANCE: +.030/-010 [+8/-25]
WIRE GAGES: 18 - 10




VTE PART NO: 1101700102
 MATERIAL: PVC
 VENDOR PART NO: 7843-70-RED 6288
 SHORE DUREMETER: 7A 10 SEC. 70
 SPECIFIC GRAVITY: 1.34
 UL T. ELONGATION %: 350
 MELTING TEMP: 320-340 F [160-171 C]
 BRITTLE TEMP: -22 F [-30 C]
 TENSILE STRENGTH PSI: 1550
 DIELECTRIC STRENGTH, V./mil: 553
 UL RATING: V0

DD NOT SCALE

LTR.	REVISIONS	DATE	INT.
A	UPDATED MATERIAL INFORMATION	8-02-22	RAS
B	MOVED DIMENSION FROM DD TO TD OF CABLE ENTRY	10-29-24	RAS

SCALE FACTOR : NONE
 ALL DIMENSIONS GIVEN AS [in, (mm)]
 TOLERANCES UNLESS OTHERWISE SPECIFIED :
 MOLDED PARTS: ±.030" [±0.8mm]
 ALL ANGLES ARE ± 1 DEGREE



VTE Incorporated
 5437 Robinson Road, P.O. Box 790
 Pellston, Michigan 49769
 Telephone: 1-800-527-9256, 231-539-8000
 FAX: 231-539-0914

REF:	DATE:	DRN BY:	BRH	WEIGHT:
CUSTOMER DIMS	02-14-05	CHK'D BY:	BRH	.019 LBS [8.48 g]
TITLE: EYELET TERMINAL INSULATOR				
MATERIAL:	PVC	PART NO: 405N1F02		
COLOR:	RED	DRG CLASS	REV B	