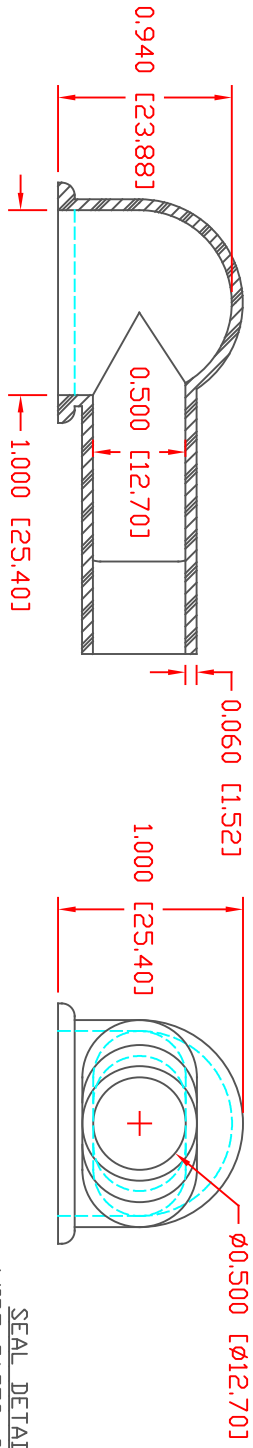
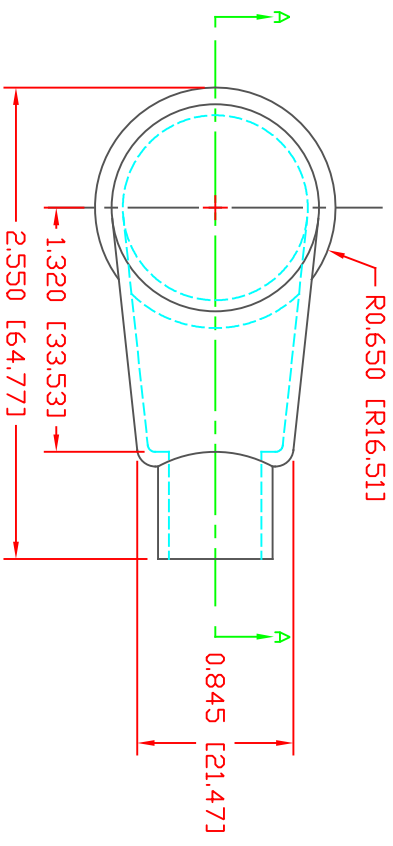


THE INFORMATION CONTAINED IN THIS DRAWING IS THE SOLE PROPERTY OF VTE INCORPORATED. ANY REPRODUCTION IN PART OR WHOLE WITHOUT THE WRITTEN PERMISSION OF VTE INCORPORATED IS PROHIBITED. VTE MAKES NO WARRANTY, EXPRESSED OR IMPLIED, AS TO THE SUITABILITY OF A PRODUCT FOR ANY INTENDED USE. THE CUSTOMER SHALL BEAR THE SOLE RESPONSIBILITY OF DETERMINING THE SUITABILITY OF ANY VTE PRODUCT FOR ITS END USE.

LTR.	REVISIONS	DATE	INT.
☞	UPDATED MATERIAL INFORMATION	8-02-22	RAS



SEAL DETAILS
WIRE GAGES: 2 - 2/0




SECTION A-A
TYP. WALL THICKNESS = .060" [1.5]



VTE PART NO: 7203640102
 MATERIAL: SANTOPRENE 201-64
 VENDOR PART NO: TPE AES 201-64 NAT SANTOPRENE
 SHORE DUREMETER: "A" 15 SEC. 69
 SPECIFIC GRAVITY: .97
 ULT. ELONGATION %: 450
 MELTING TEMP: 380-450 F [193-232 C]
 BRITTLE TEMP: -76 F [-60 C]
 TENSILE STRENGTH PSI: 1020
 DIELECTRIC STRENGTH, V./mil: 750
 UL. RATING: HB

DD NOT SCALE

SCALE FACTOR : NONE
 ALL DIMENSIONS GIVEN AS IN [mm]
 TOLERANCES UNLESS OTHERWISE SPECIFIED :
 MOLDED PARTS: ±.030" [±0.8mm]
 ALL ANGLES ARE ± 1 DEGREE



VTE Incorporated
 5437 Robinson Road, P.O. Box 790
 Pellston, Michigan 49769
 Telephone: 1-800-527-9256, 231-539-8000
 FAX: 231-539-0914

REF:	DATE:	DRN BY:	BRH	WEIGHT:
CUSTOMER DIMS	03-26-98	CHK'D BY:	BRH	.019 LBS [8.48 g]
TITLE:	EYELET TERMINAL INSULATOR			
MATERIAL:	SANTOPRENE		PART NO:	
COLOR: RED	DRG CLASS	REV A	405N9T02	