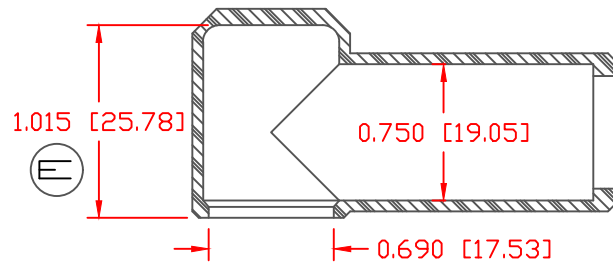
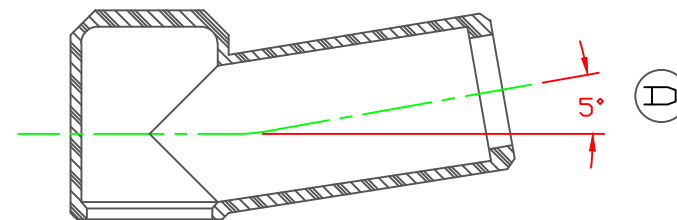
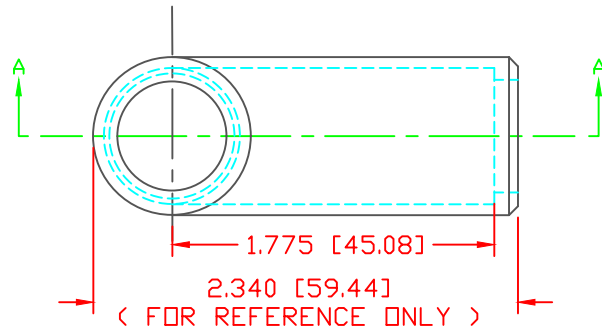
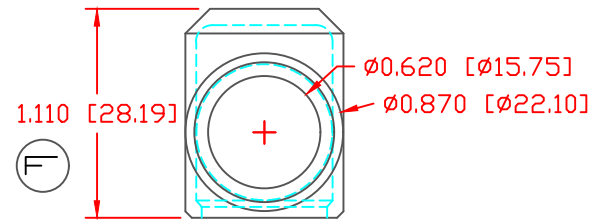


THE INFORMATION CONTAINED IN THIS DRAWING IS THE SOLE PROPERTY OF VTE INCORPORATED. ANY REPRODUCTION IN PART OR WHOLE WITHOUT THE WRITTEN PERMISSION OF VTE INCORPORATED IS PROHIBITED. VTE MAKES NO WARRANTY, EXPRESSED OR IMPLIED, AS TO THE SUITABILITY OF A PRODUCT FOR ANY INTENDED USE. THE CUSTOMER SHALL BEAR THE SOLE RESPONSIBILITY OF DETERMINING THE SUITABILITY OF ANY VTE PRODUCT FOR ITS END USE.

LTR.	REVISIONS	DATE	INT.
A	ADDED 10 DEGREE VIEW AND NOTES	01-07-02	BRH
B	REMOVED ALTERNATE PART NUMBER NOTE	05-24-16	RAS
C	UPDATED MATERIAL WEIGHT FROM .022 LBS [9.48 G]	08-30-16	RAS
D	UPDATED DEGREE TOLERANCE FROM 10 DEG	10-18-17	RAS
E	REVISED DIMENSION FROM 1.060 [26.92]	10-19-17	RAS
F	REVISED DIMENSION FROM 1.150 [29.21]	10-19-17	RAS
G	ADDED 'REFERENCE ONLY' NOTE TO LENGTH DIMENSION	10-18-17	RAS



SECTION A-A
 TYP. WALL THICKNESS = .060" [1.5]
 TYP. BEVEL = 45°




SECTION A-A
 ALLOWABLE DISTORTION

SCALE FACTOR : NONE
 ALL DIMENSIONS GIVEN AS: in [mm]
 TOLERANCES UNLESS OTHERWISE SPECIFIED :
 MOLDED PARTS: ±.030" [±0.8mm]
 ALL ANGLES ARE ± 1 DEGREE

MATERIAL PART NO:	1101700102
MATERIAL:	PVC
VENDOR PART NO:	7843-70-RED 6288
SHORE DUROMETER:	"A" 10 SEC. 70
SPECIFIC GRAVITY:	1.34
ULT. ELONGATION %:	350
MELTING TEMP:	320-340 F [160-171 C]
BRITTLE TEMP:	-22 F [-30 C]
TENSILE STRENGTH PSI:	1550 PSI
DIELECTRIC STRENGTH, V./mil:	553
U.L. RATING:	V0

DO NOT SCALE

		VTE Incorporated 5437 Robinson Road, P.O. Box 790 Pellston, Michigan 49769 Telephone: 1-800-527-9256, 231-539-8000 FAX: 231-539-0914	
		REF:	DATE:
CUSTOMER DIMS	03-27-98	CHK'D BY: JC	.021 LBS [9.66 g]
TITLE: EYELET TERMINAL INSULATOR BOOT			
MATERIAL: PVC		PART NO.	
COLOR: RED		407N8F02	
DRG CLASS		REV G	