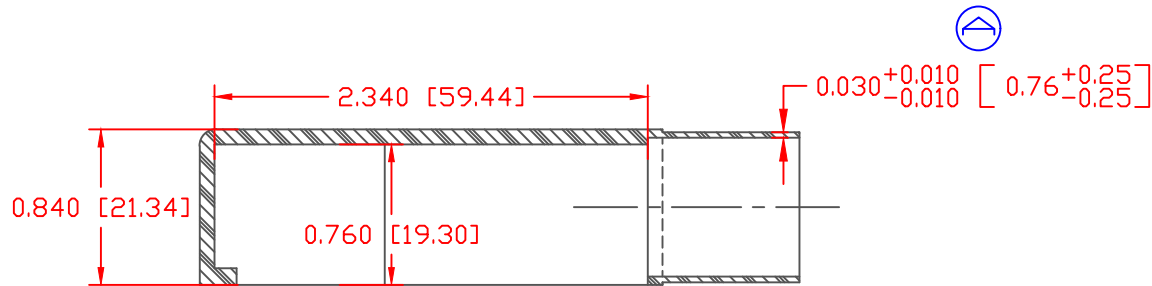
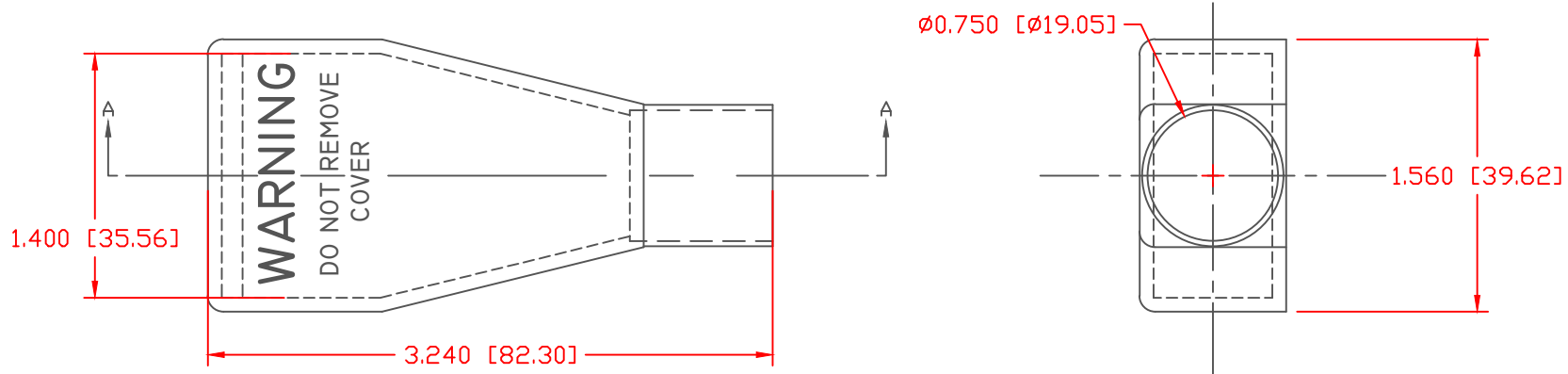


THE INFORMATION CONTAINED IN THIS DRAWING IS THE SOLE PROPERTY OF VTE INCORPORATED. ANY REPRODUCTION IN PART OR WHOLE WITHOUT THE WRITTEN PERMISSION OF VTE INCORPORATED IS PROHIBITED. VTE MAKES NO WARRANTY, EXPRESSED OR IMPLIED, AS TO THE SUITABILITY OF A PRODUCT FOR ANY INTENDED USE. THE CUSTOMER SHALL BEAR THE SOLE RESPONSIBILITY OF DETERMINING THE SUITABILITY OF ANY VTE PRODUCT FOR ITS END USE.

LTR.	REVISIONS	DATE	INT.
A	ADDED DIMENSIONAL TOLERANCE	3-6-17	RAS
B	UPDATED .080 [2.0] TO .090 [2.3]	3-8-17	RAS




SECTION A-A
 TYP. WALL THICKNESS = .090" [2.3]
 TYP. RADIUS = .090" [2.3]

ALL DIMENSIONS GIVEN AS: in [mm]
 MOLDED PARTS: ±.030" [±0.8mm]

VTE PART NO:	1101650114
MATERIAL:	PVC
VENDOR PART NO:	9812-65-BLACK
SHORE DUROMETER:	"A" 10 SEC. 65
SPECIFIC GRAVITY:	1.34
ULT. ELONGATION %:	400
MELTING TEMP:	315-335 F [157-168 C]
BRITTLE TEMP:	-54 F [-48 C]
TENSILE STRENGTH PSI:	1550 PSI
DIELECTRIC STRENGTH, V./mil:	453
U.L. RATING:	V2

DO NOT SCALE

		VTE Incorporated 5437 Robinson Road, P.O. Box 790 Pellston, Michigan 49769 Telephone: 1-800-527-9256, 231-539-8000 FAX: 231-539-0914	
		REF:	DATE:
CUSTOMER DIMS	04-27-11	CHK'D BY: BRH	.034 LBS [15.4 g]
TITLE: BATTERY CABLE BOOT			
MATERIAL: PVC		PART NO.	
COLOR: BLACK		415N0V14	
DRG CLASS	REV B		