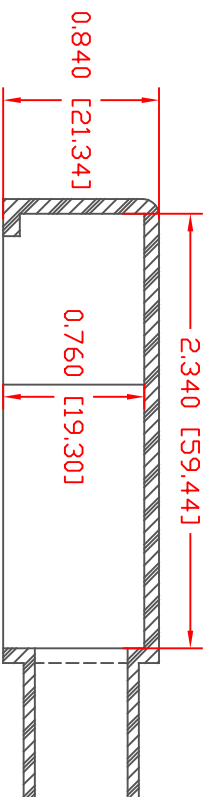
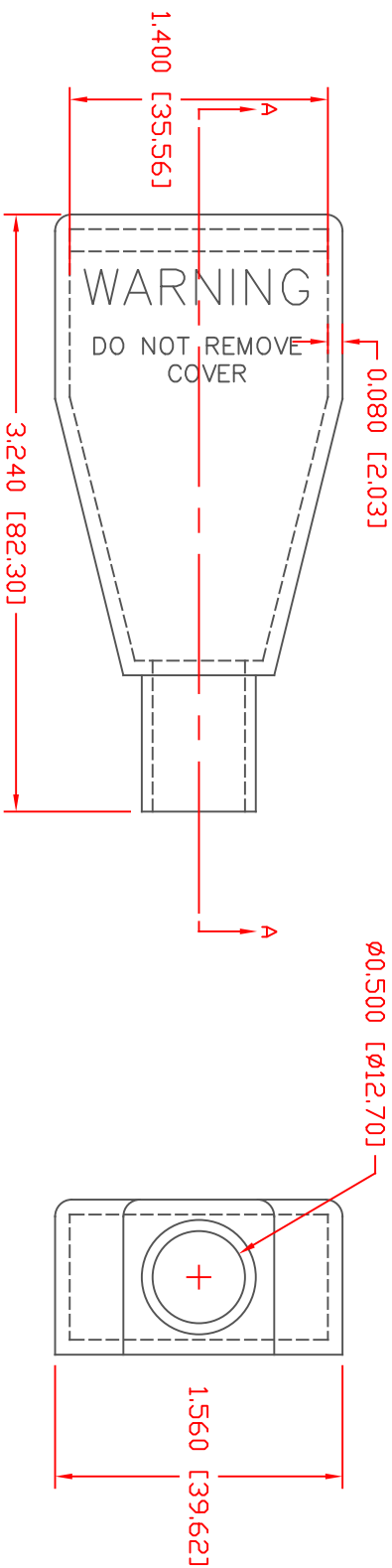


THE INFORMATION CONTAINED IN THIS DRAWING IS THE SOLE PROPERTY OF VTE INCORPORATED. ANY REPRODUCTION IN PART OR WHOLE WITHOUT THE WRITTEN PERMISSION OF VTE INCORPORATED IS PROHIBITED. VTE MAKES NO WARRANTY, EXPRESSED OR IMPLIED, AS TO THE SUITABILITY OF A PRODUCT FOR ANY INTENDED USE. THE CUSTOMER SHALL BEAR THE SOLE RESPONSIBILITY OF DETERMINING THE SUITABILITY OF ANY VTE PRODUCT FOR ITS END USE.

LTR.	REVISIONS	DATE	INT.
▲	UPDATED .080 [2.0] TD .090 [2.3]	3-8-17	RAS



SECTION A-A
 TYP. WALL THICKNESS = .090" [2.3]
 TYP. RADIUS = .090" [2.3]

VTE PART NO: 1101700102
 MATERIAL: PVC
 VENDOR PART NO: 7843-70-RED 6288
 SHORE DUREMETER: "A" 10 SEC. 70
 SPECIFIC GRAVITY: 1.34
 ULT. ELONGATION %: 134
 MELTING TEMP: 320-340 F [160-171 C]
 BRITTLE TEMP: 350
 TENSILE STRENGTH PSI: -22 F [-30 C]
 DIELECTRIC STRENGTH, V./mil: 1550
 UL. RATING: V0

DD NOT SCALE

ALL DIMENSIONS GIVEN AS: In [mm]
 MOLDED PARTS: ±.030" [±0.8mm]



VTE Incorporated
 5437 Robinson Road, P.O. Box 790
 Pellston, Michigan 49769
 Telephone: 1-800-527-9256, 231-539-8000
 FAX: 231-539-0914

REF.	DATE:	DRN BY:	JC	WEIGHT:
CUSTOMER DIMS	03-27-98	CHK'D BY:	JC	.035 LBS [16.0 g]

TITLE:	BATTERY CABLE BOOT		
MATERIAL:	PVC	DRG CLASS	REV A
COLOR:	RED	PART NO.	415N8F02