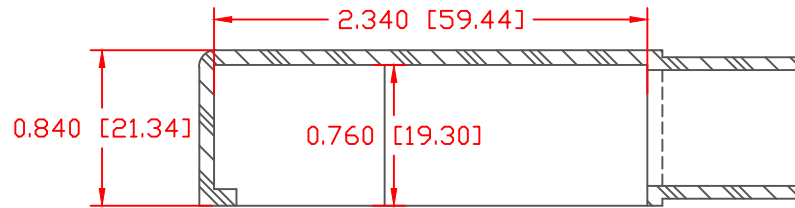
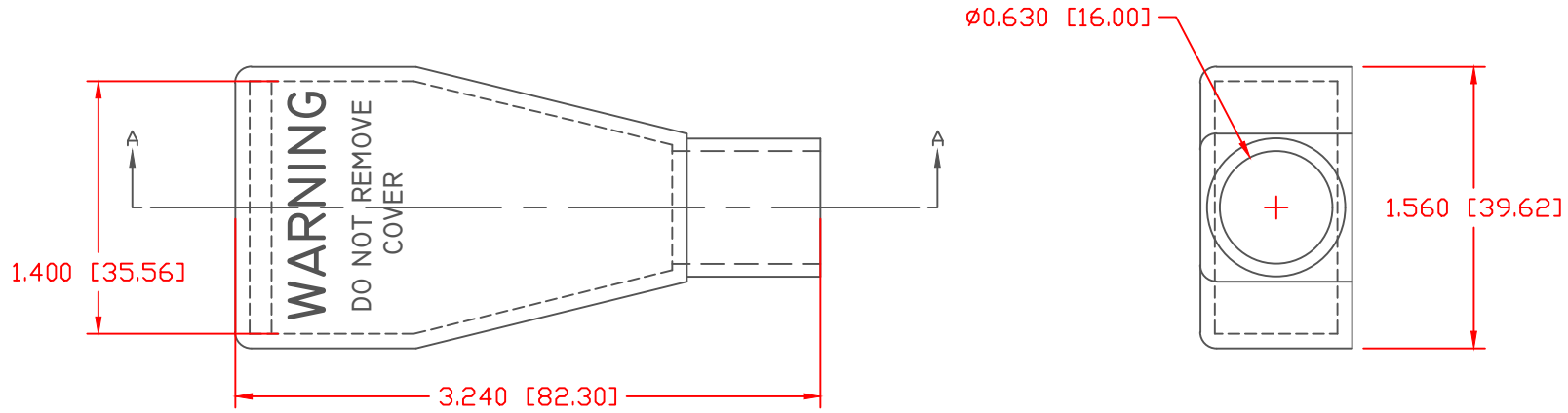


THE INFORMATION CONTAINED IN THIS DRAWING IS THE SOLE PROPERTY OF VTE INCORPORATED. ANY REPRODUCTION IN PART OR WHOLE WITHOUT THE WRITTEN PERMISSION OF VTE INCORPORATED IS PROHIBITED. VTE MAKES NO WARRANTY, EXPRESSED OR IMPLIED, AS TO THE SUITABILITY OF A PRODUCT FOR ANY INTENDED USE. THE CUSTOMER SHALL BEAR THE SOLE RESPONSIBILITY OF DETERMINING THE SUITABILITY OF ANY VTE PRODUCT FOR ITS END USE.

LTR.	REVISIONS	DATE	INT.
△	UPDATED .080 [2.0] TO .090 [2.3]	3-8-17	RAS




SECTION A-A
 TYP. WALL THICKNESS = .090" [2.3]
 TYP. RADIUS = .090" [2.3]

ALL DIMENSIONS GIVEN AS: in [mm]
 MOLDED PARTS: ±.030" [±0.8mm]

VTE PART NO:	1103640114
MATERIAL:	SANTOPRENE 101-64
VENDOR PART NO:	TPE AES 101-64 BK SANTOPRENE
SHORE DUROMETER:	"A" 15 SEC. 69
SPECIFIC GRAVITY:	.97
ULT. ELONGATION %:	450
MELTING TEMP:	380-450 F [193-232 C]
BRITTLE TEMP:	-76 F [-60 C]
TENSILE STRENGTH PSI:	1020
DIELECTRIC STRENGTH, V./mil:	680
U.L. RATING:	HB

DO NOT SCALE

		VTE Incorporated 5437 Robinson Road, P.O. Box 790 Pellston, Michigan 49769 Telephone: 1-800-527-9256, 231-539-8000 FAX: 231-539-0914	
		REF: CUSTOMER DIMS	DATE: 03-27-98
TITLE: BATTERY CABLE BOOT			
MATERIAL: SANTOPRENE		PART NO. 415N9T14	
COLOR: BLACK	DRG CLASS: REV A		